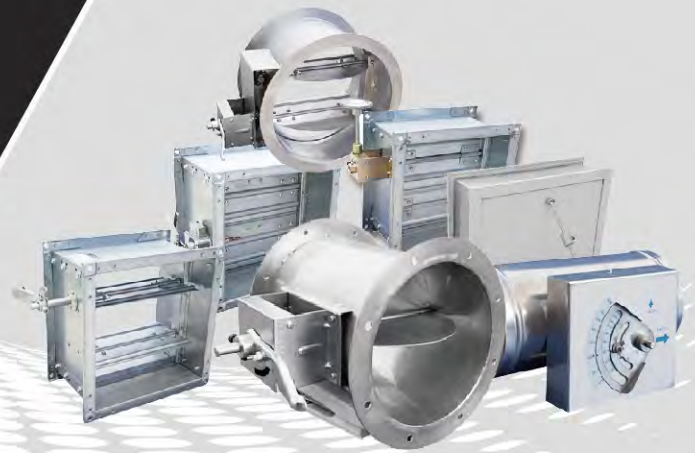


产品手册

PRODUCT MANUAL

SMARTEMP 智腾[®]
IN COMFORT



风阀、定风量阀 变风量末端、消声器

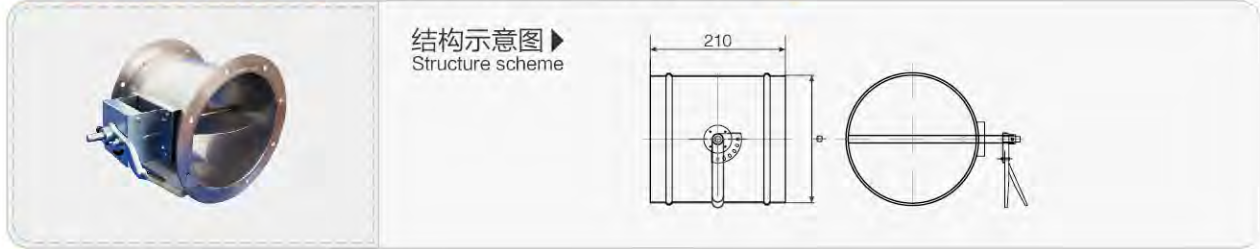
AIR VALVE, CONSTANT AIR VOLUME VALVE
VARIABLE AIR VOLUME END, MUFFLER



目录 CONTENTS

SVDR圆形单叶蝶阀.....01	SVD-R圆型变风量阀.....09
SVDS矩形单叶蝶阀.....01	SVD-S方型变风量阀.....10
SVD手动对开多叶调节阀.....01	SSV单风道变风量调节器.....11
SVD-OM手动对开多叶调节阀（om开关）.....02	SVT-P并联式风机动力型变风量末端.....11
SVD-Y风量调节阀（外方内圆）.....02	SVT-S串联式风机动力型变风量末端.....12
SVD-E1电动对开多叶调节阀（开关型）.....02	SPM-ZP100片式管道消声器.....13
SVD-E2电动对开多叶调节阀（比例型）.....03	SPM-ZP200片式管道消声器.....14
SVD-P气动多叶调节阀.....04	SMD消声风管.....17
SSD-R圆形止回阀.....05	SIM阻抗复合式消声器.....19
SSD-S矩形止回阀.....05	SMM微穿孔消声器.....20
SYD余压阀.....05	SME-H水平消声弯头.....23
SVD-M手动密闭阀.....06	SME-V垂直消声弯头.....25
SCD承插式手动调节阀.....06	SSE-H短臂水平消声弯头.....27
SRD圆形双叶蝶阀.....07	SSE-V短臂垂直消声弯头.....29
SKD铝合金调节阀.....07	SRM圆形消声器.....31
SFD风机导叶风阀.....07	SCM组合式消声器.....31
定风量、变风量系列末端装置概述.....08	SCB静压箱.....33
SMC-S机械式方型定风量阀.....08	SSC消声静压箱.....33
SMC-R机械式圆型定风量阀.....09	SSG消声百叶.....34

SVDR圆形单叶蝶阀 SVDR CIRCULAR SINGLE LEAF VALVE >>



■ **材质:** 镀锌钢板

■ **特性:**

- SVDR圆形为控制风速、调节风量之用，其操作方便，结构灵巧，可直接装在风管上。

■ **Material:** Galvanized steel sheet

■ **Features:**

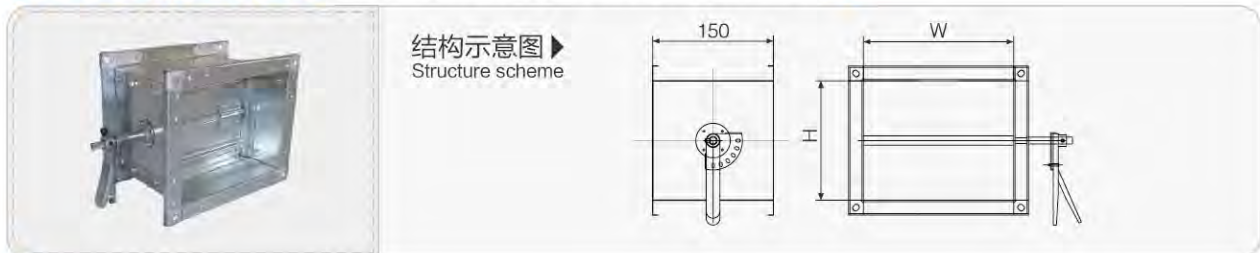
- SVDR circular single leaf valve can control air velocity and adjust air volume. It is easy to operate and has smart structure. It can be installed on the air pipe directly.

- 该风阀采用镀锌板制成，表面无需涂装。

■ **规格尺寸:** ϕ 配合风管尺寸

- It is made of galvanized steel plate and there's no need to paint
- **Specification:** ϕ to fit for the size of air pipe.

SVDS矩形单叶蝶阀 SVDS RECTANGUL AR SINGLE LEAF VALVE >>



■ **材质:** 镀锌钢板

■ **特性:**

- SVDS矩形为控制风速、调节风量之用，其操作方便，结构灵巧，可直接装在风管上。

■ **Material:** Galvanized steel sheet

■ **Features:**

- SVDS rectangular single leaf valve can control air velocity and adjust air volume. It is easy to operate and has smart structure. It can be installed on the air pipe directly.

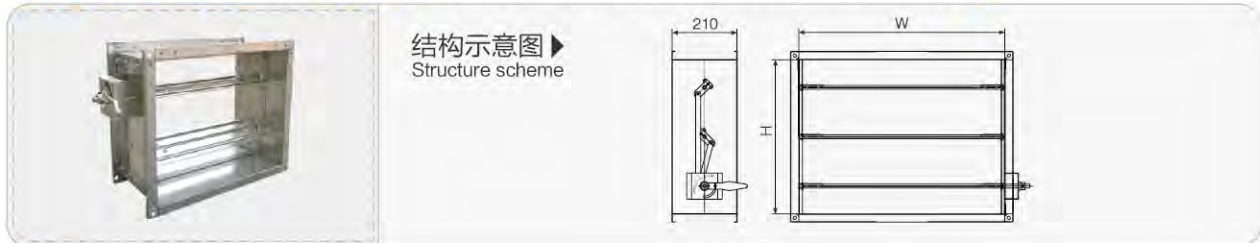
- 该风阀采用镀锌板制成，表面无需涂装。

■ **规格尺寸:** W × H 配合风管尺寸

- It is made of galvanized steel plate and there's no need to paint.

■ **Specification:** W x H to fit for the size of air pipe.

SVD手动对开多叶调节阀 SVD MANUAL SPLIT LEAFY REGULATING VALVE >>



■ **材质:** 镀锌钢板

■ **特性:**

- 可直接安装在通风管道上，与风管相连接，用于控制风速，调节室内风量之用，其调节方便、灵巧。

■ **Material:** Galvanized steel sheet

■ **Features:**

- It can be installed on the ventilation pipe and connect with air pipe to control air velocity and adjust air volume. It is easy to operate and has smart structure.

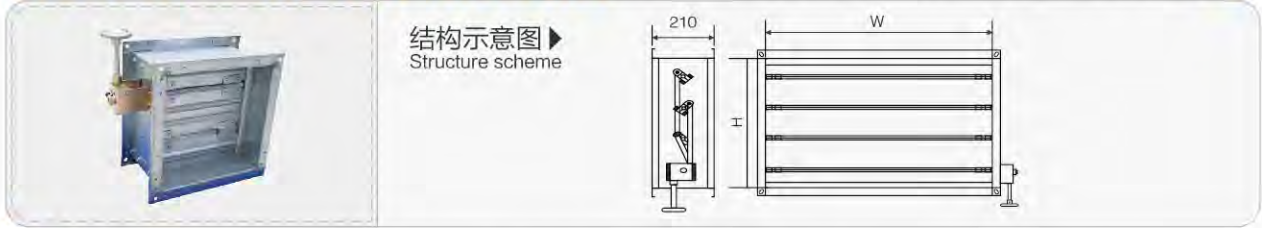
- 该风阀采用镀锌板制成，表面无需涂装。

■ **规格尺寸:** W × H 配合风管尺寸

- It is made of galvanized steel plate and there's no need to paint

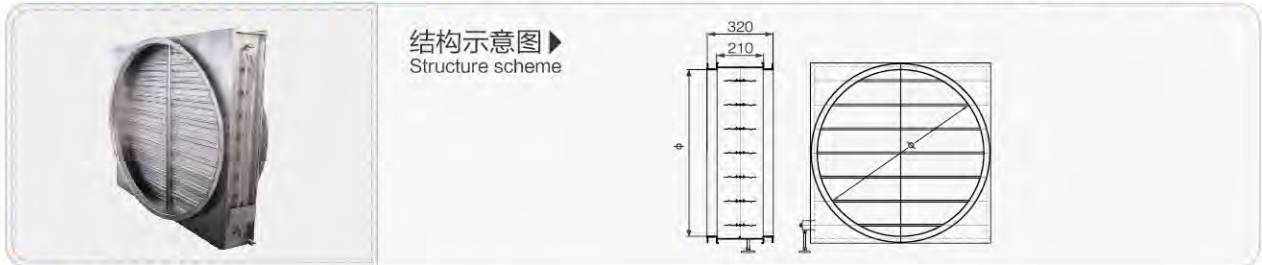
■ **Specification:** W x H to fit for the size of air pipe.

SVD-OM手动对开多叶调节阀(OM)开关 SVD-OM MANUAL SPLIT LEAFY REGULATING VALVE (OM SWITCH) >>



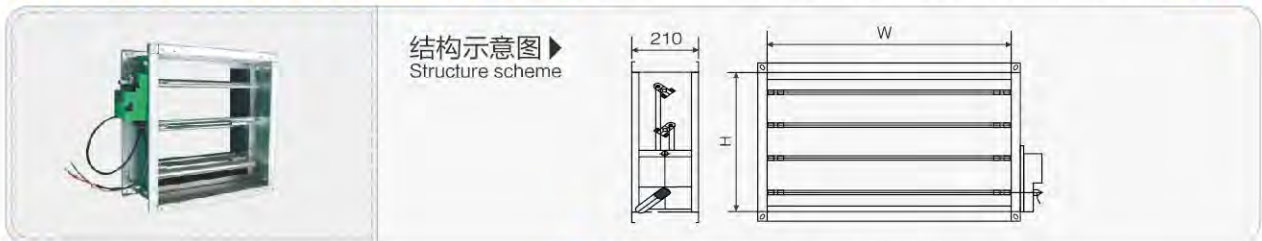
- **材质:** 镀锌钢板
- **特性:** SVD-OM手动多叶对开调节阀与KVD仅调节机构不同, 其它性能基本相同。
- **规格尺寸:** W × H配合风管尺寸
- **Material:** Galvanized steel sheet
- **Features:** SVD-OM only differs from SVD in the adjustment structure but the other function is about the same.
- **Specification:** W x H to fit for the size of air pipe

SVD-Y风量调节阀(外方内圆) SVD-Y AIR VOLUME ADJUSTMENT VALVE (SQUARE OUTSIDE & ROUND INSIDE) >>



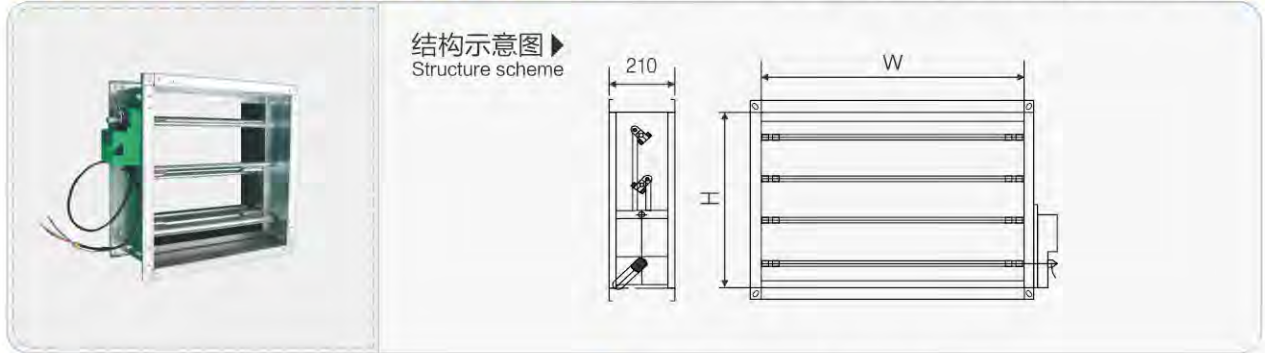
- **材质:** 镀锌钢板
- **特性:** 可直接安装在通风管道上, 与风管相连接, 用于控制风速, 调节室内风量之用, 其调节方便、灵巧。
- **Material:** Galvanized steel sheet
- **Features:** It can be installed on the ventilation pipe and connect with air pipe to control air velocity and adjust air volume. It is easy to operate and has smart structure.
- **规格尺寸:** ϕ 配合风管尺寸
- **Specification:** ϕ to fit for the size of air pipe

SVD-E1电动对开多叶调节阀(开关型) SVD-E1 ELECTRIC SPLIT LEAFY REGULATING VALVE (SWITCH TYPE) >>



- **材质:** 镀锌钢板
- **特性:**
 - 安装在有通风要求的通风系统的风管上作风量调节, 控制风速之用。
 - 电动开启或关闭阀门, 输出开闭电信号。
 - 具有手动按钮, 可手动开启或关闭。
- **主要技术参数:**
 - 额定电压: AC220V或AC/DC24V
 - 电机功率: 3W
 - 动作时间: 30 ~ 60sec
 - 执行机构力矩: 6Nm ~ 25Nm
 - 旋转角度: 0 ~ 90°
- **规格尺寸:** W × H配合风管尺寸
- **Material:** Galvanized steel sheet
- **Features:**
 - It is installed on the air pipe of ventilation system to adjust the air volume and control air velocity.
 - Open and close the valve by power. Output electrical switch signal.
 - It also has manual button which can open and close by manual.
- **Main technical parameter:**
 - Rated voltage: AC220V or AC/DC24V
 - Motor power: 3W
 - Sequence time: 30 ~ 60sec
 - Actuator torque: 6Nm ~ 25Nm
 - Rotation angle: 0 ~ 90°
- **Specification:** W x H to fit for the size of air pipe.

SVD-E2电动对开多叶调节阀 (比例型) SVD-E2 ELECTRIC SPLIT LEAFY REGULATING VALVE (RATIO TYPE) >>



■ **材质:** 镀锌钢板

■ **特性:**

- 安装在有通风要求的通风系统的风管上作风量调节, 控制风速之用。
- 电动比例调节阀开度, 控制信号为0~10V/DC, 反馈信号为2~10V/DC。
- 具有手动按钮, 可手动开启或关闭。

■ **主要技术参数:**

- 额定电压: AC220V或AC/DC24V
- 电机功率: 3W ● 动作时间: 30~60sec
- 执行机构力矩: 6Nm~25Nm ● 旋转角度: 0~90°

■ **规格尺寸:** W × H配合风管尺寸

■ **Material:** Galvanized steel sheet

■ **Features:**

- It is installed on the air pipe of ventilation system to adjust the air volume and control air velocity.
- The electric proportional adjustment valve opening degree, the control signal is 0~10V/DC, and the feedback signal is 2~10V/DC.
- It also has manual button which can open and close by manual.

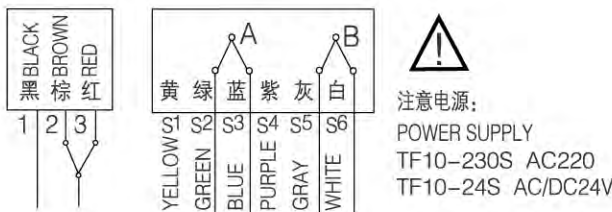
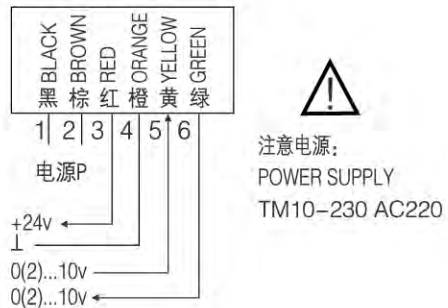
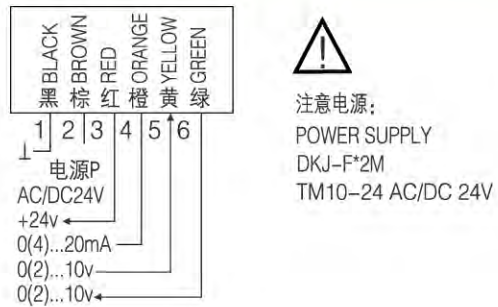
■ **Main technical parameter:**

- Rated voltage: AC220V or AC/DC24V ● Motor power: 3W
- Sequence time: 30~60sec
- Actuator torque: 6Nm~25Nm
- Rotation angle: 0~90°

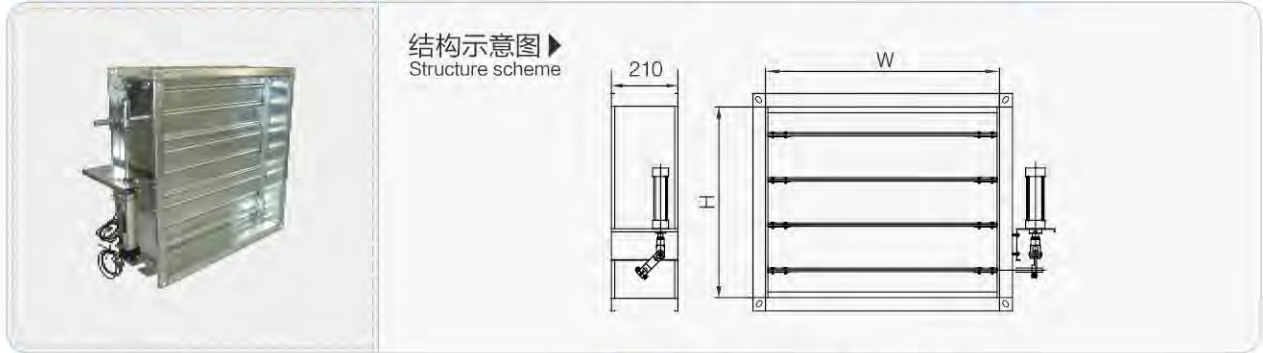
■ **Specification:** W × H to fit for the size of air pipe.

接线图 (开关型) Connection diagram (Switch type) ▶

接线图 (比例型) Connection diagram (Ratio type) ▶



SVD-P气动多叶调节阀 SVD-P PNEUMATIC SPLIT LEAFY REGULATING VALVE >>



■ **材质:** 镀锌钢板

■ **特性:**

- 安装在有通风要的通风系统的风管上作风量调节, 控制风速之用。
- 采用优质铝合金汽缸执行器, 耐磨耐蚀, 永不生锈。
- 与空压机气源相连接后, 根据需要自动开启和关闭阀门。
- 阀体采用镀锌板制成, 表面无需涂装。
- 可根据用户需要配置开闭反馈电信号。

■ **规格尺寸:** W × H配合风管尺寸

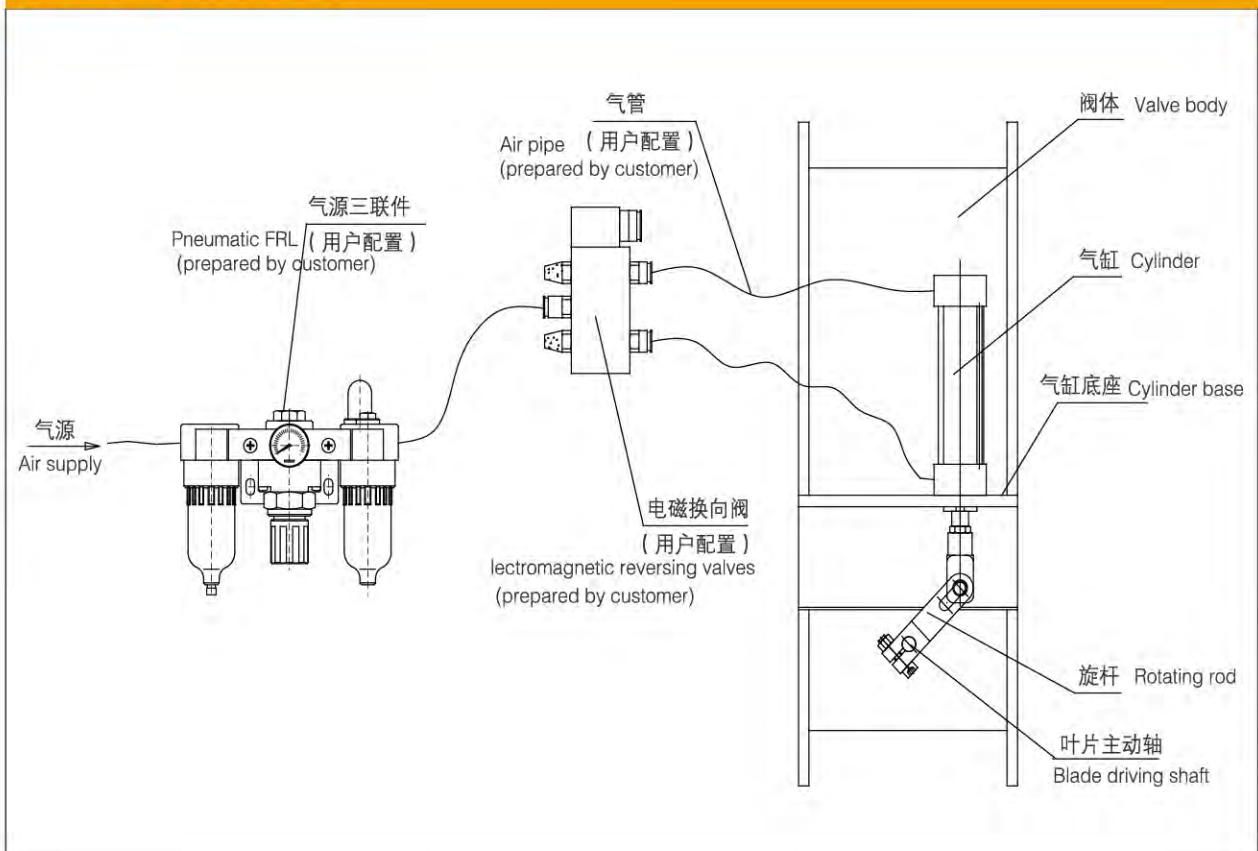
■ **Material:** Galvanized steel sheet

■ **Features:**

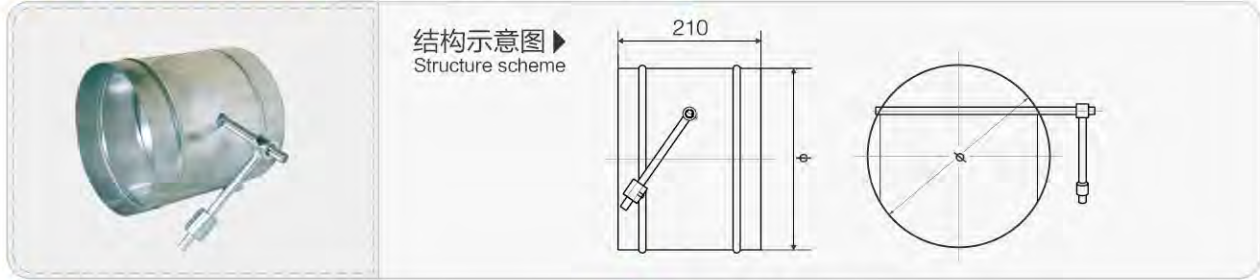
- It is installed on the air pipe of ventilation system to adjust the air volume and control air velocity.
- Use high-quality aluminum alloy cylinder actuator which is wear resistant, anti-corrosive and never rust.
- After being connected with the air from air compressor, you can open and close the valve automatically according to the requirement.
- The valve body is made of galvanized steel sheet and there's no need to paint.
- It can be equipped with open & close feedback electric signal according to customer's requirement.

■ **Specification:** W x H to fit for the size of air pipe.

控制原理图 Control scheme ▶

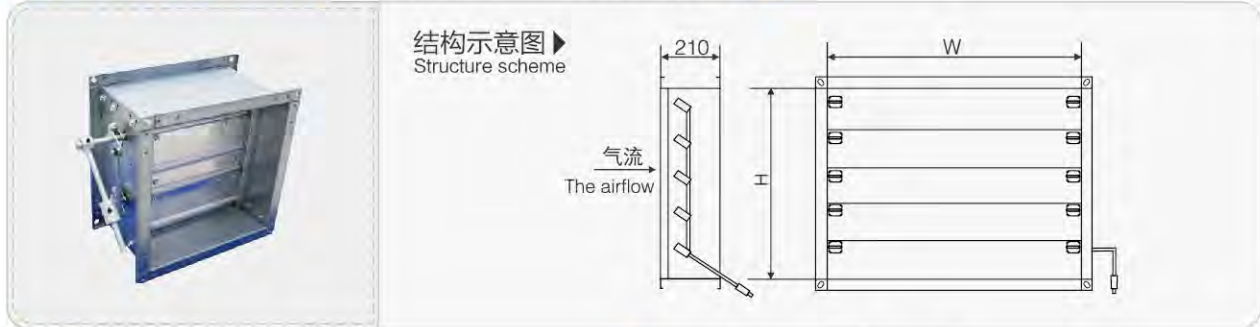


SSD-R圆形止回阀 SSD-R ROUND CHECK VALVE >>



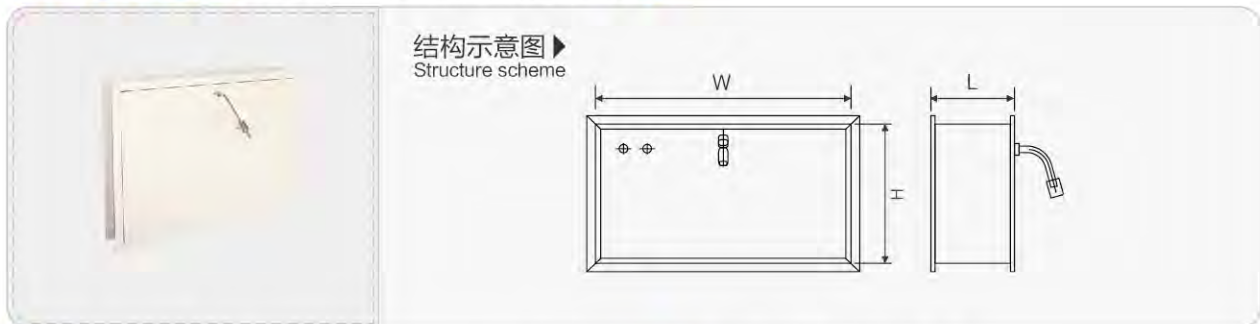
- **材质:** 镀锌钢板、铝板
- **特性:** 安装在通风管道上防止风机停转后气流倒流, 要求管道中风速不小于8米/秒时使用。
- **Material:** Galvanized steel sheet, Aluminum sheet
- **Specification:** ϕ to fit for the size of air pipe
- **Features:** It is installed on the air pipe of ventilation system to prevent air backflow after the fan stops running. It is used when the air velocity is not less than 8m/s in the air pipe.

SSD-S矩形止回阀 SSD-S RECTANGULAR CHECK VALVE >>



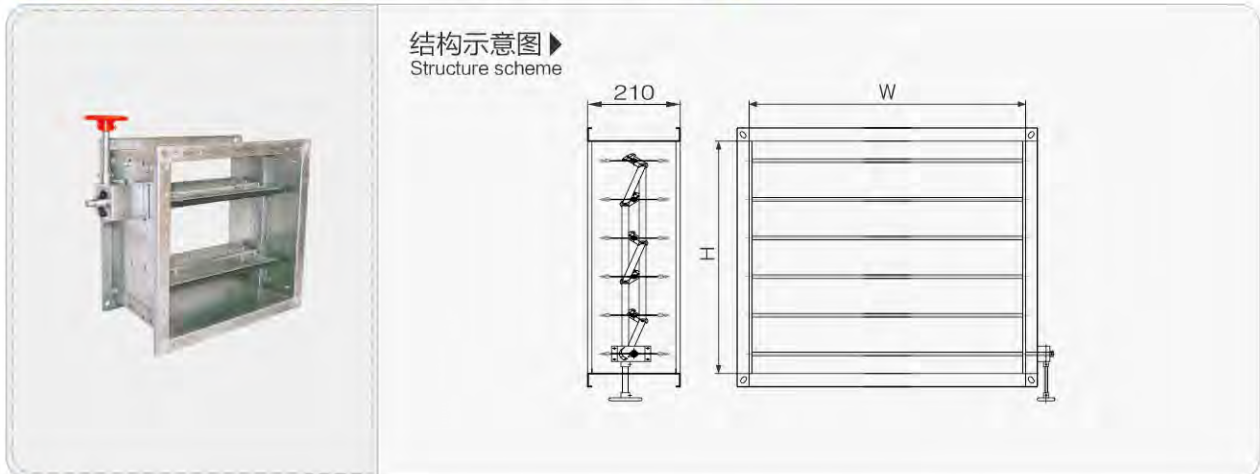
- **材质:** 镀锌钢板、铝板
- **特性:** 安装在通风管道上防止风机停转后气流倒流, 要求管道中风速不小于8米/秒时使用。
- **Material:** Galvanized steel sheet, Aluminum sheet
- **Specification:** W x H fit for the size of air pipe
- **Features:** It is installed on the air pipe of ventilation system to prevent air backflow after the fan stops running. It is used when the air velocity is not less than 8m/s in the air pipe.

SYD余压阀 SYD RESIDUAL PRESSURE VALVE >>



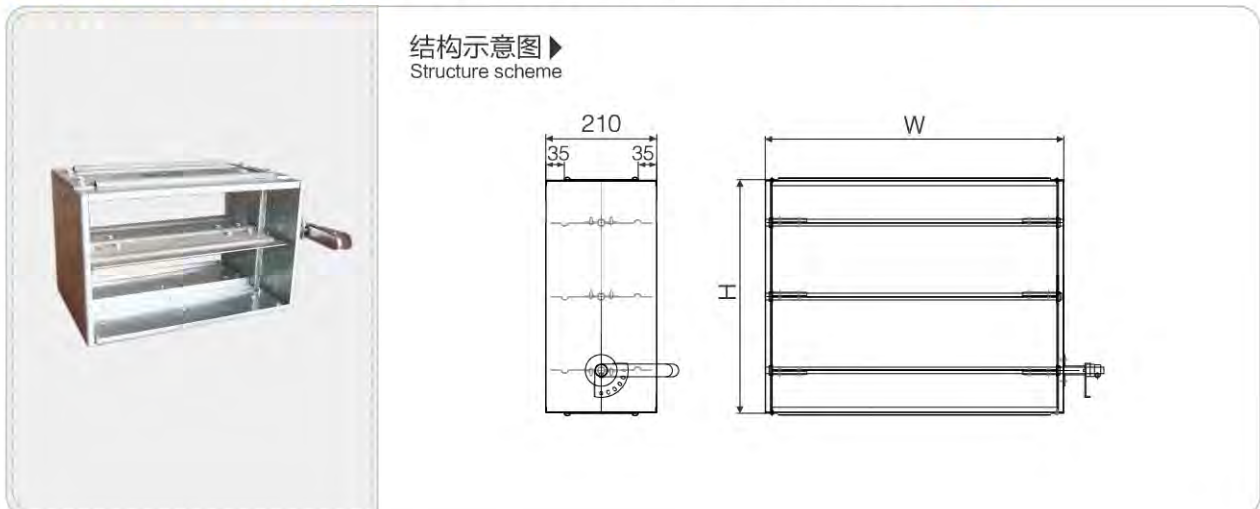
- **材质:** 镀锌钢板、铝板
- **特性:** 适用于净化空调房间正压无能耗自动控制, 使空调房间保持某一正压。
- **Material:** Galvanized steel sheet, Aluminum sheet
- **Specification:** L size is confirmed by the customer
- **Surface treatment:** Electrostatic spray
- **Features:** It is used for purifying air-conditioning room which automatically controls positive pressure without energy consumption to keep some positive pressure in the room.

SVD-M手动密闭阀 SVD-M MANUAL AIRTIGHT VALVE >>



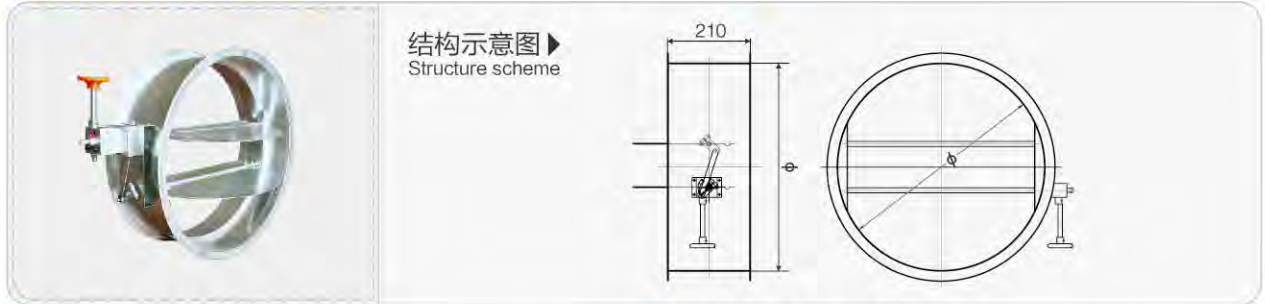
- **材质:** 镀锌钢板
- **特性:** 可直接安装在通风管道上, 与风管相连接, 用于控制风速, 调节室内风量之用, 叶片之间, 叶片与外框之间增加了密封措施, 执行机构为OM开关。
- **规格尺寸:** W × H配合风管尺寸
- **Material:** Galvanized steel sheet
- **Features:** It is installed on the ventilation pipe and connects with the air pipe to control the air velocity and adjust air volume. Between the leaves as well as the leaf and outer frame, it increases the sealing and the actuator is OM switch.
- **Specification:** W x H to fit for the size of air pipe

SCD承插式手动调节阀 SCD SOCKET FITTING MANUAL REGULATING VALVE >>



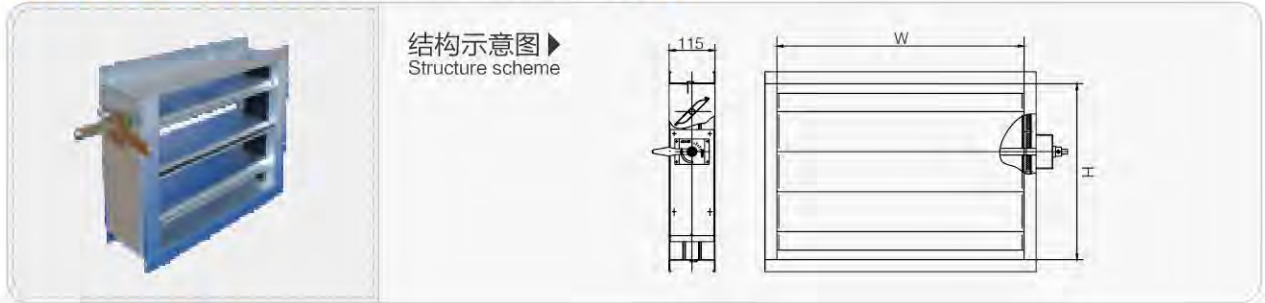
- **材质:** 镀锌钢板
- **特性:** 可直接安装在通风管道上, 与风管相连接, 用于控制风速, 调节室内风量之用, 其安装形式为承插连接, 可直接插入风管内, 无需法兰连接。
- **规格尺寸:** W × H配合风管尺寸
- **Material:** Galvanized steel sheet
- **Features:** It is installed on the ventilation pipe and connects with the air pipe to control the air velocity and adjust air volume. The installation is socket fitting, which can be inserted into the air pipe directly. No need flange connection.
- **Specification:** W x H to fit for the size of air pipe

SRD圆形双叶蝶阀 SRD CIRCULAR DOUBLE LEAF VALVE >>



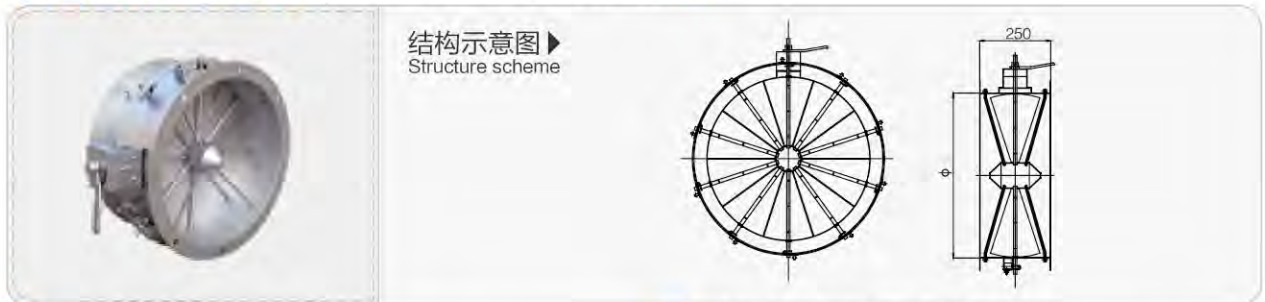
- **材质:** 镀锌钢板
- **规格尺寸:** ϕ 配合风管尺寸
- **特性:** 可直接安装在通风管道上, 与风管相连接, 用于控制风速, 调节室内风量之用, 其双叶结构不但可减少叶片打开时的空间长度, 还具有气流阻力小, 调节方便等特点, 适合于直径450~650的圆形风阀。
- **Material:** Galvanized steel sheet
- **Specification:** ϕ to fit for the size of air pipe
- **Features:** It is installed on the ventilation pipe and connects with the air pipe to control the air velocity and adjust air volume. The double leaf structure can not only reduce the length when the leaf opens but also have such features as small airflow resistance, easy adjustment, which is fit for ϕ 450-650 circular valve.

SKD铝合金调节阀 SKD ALUMINUM ALLOY VALVE >>



- **材质:** 铝合金型材
- **规格尺寸:** W × H 配合风管尺寸
- **特性:** 可直接安装在空调机组上, 用于空调机组送风口、回风口、新风口的风量调节, 阀门结构为对开式齿轮调节, 其调节精度高, 阻力小。也可安装在通风管道上, 与风管连接。
- **Material:** Aluminum alloy sections
- **Specification:** (W × H) size can be manufactured according to design.
- **Features:** It can be directly installed on the air conditioning unit and is used for air volume adjustment about air supply outlet, return air outlet and fresh air outlet of air conditioning unit. The valve structure is divided gear adjustment with high adjustment accuracy and small resistance. It can also be installed on the air duct and connect with the air pipe.

SFD风机导叶风阀 SFD BLOWER GUIDE AIR VALVE >>



- **材质:** 镀锌钢板
- **规格尺寸:** ϕ 配合风机进风口尺寸
- **特性:** 适用于高低压工业风机, 主要用途为调节风机进风量, 改变风机压力, 根据风机旋向选配相同旋向的阀门。
- **Material:** Galvanized steel sheet
- **Specification:** ϕ to fit for the size of fan inlet.
- **Features:** Suitable for high and low pressure blower and is used for adjusting air input and changing pressure for blower. The direction of turning for the valve is chose according to the blower's.

定风量、变风量系列末端装置概述 Summary for terminal device about Variable Air Volume and Constant Air Volume

以最节能的方式实现最佳的空气品质

人们的健康，感受和工作效率均同室内空气品质息息相关，我公司在室内与系统解决方案已经在各工程经历无数次的安装，技术成熟，久经考验，我们在区域及室内的节能控制领域有着完善的产品系列和解决方案。可广泛应用于生活休闲区，工业区、商业等多种敏感的工作区域。

变风量（VAV）空调系统是一种通过改变送风量来调节室内温度的空调系统。其中变风量末端是系统中最重要部分，系统末端装置自动调节送入房间的送风量来调节室温，因此可以大幅度减少送风机风机的动力能耗，可以帮助系统最多能节约50%的能源消耗，从而确保室内温度保持在设计范围内。

集执行器，控制器和传感器于一身的紧凑型VAV末端装置（变风量箱），执行器采用世界著名品牌BELIMO内置智能芯片，自动化程度高。控制器可以通过传统方式控制也可以通过DDC控制，MP-BUS控制。其中，MP-BUS连接的控制器，通过内置Long Works和BAC net通讯连接室内控制模块，可配合计算机操作管理，运行可靠、功能强大、通过数字联网实现楼宇智能化。

定风量（CAV）无需外部供电即可工作，控制阀片由管道中的轴杆支撑，流动的空气产生的动力将阀片定位，使得流量在允许的压差范围内恒定在设定值上。

作用在控制阀片上的空气动力使它闭合，并被充气的气囊增强，而气囊又起着振荡阻尼的作用。经过标定的弹簧片产生一个对抗关闭的力，弹簧片由凸轮调节，使得在压差变化时，自动调整控制阀片角度，将流量恒定在只有微小误差的流量值上。

To get the best air quality in the most energy-saving way

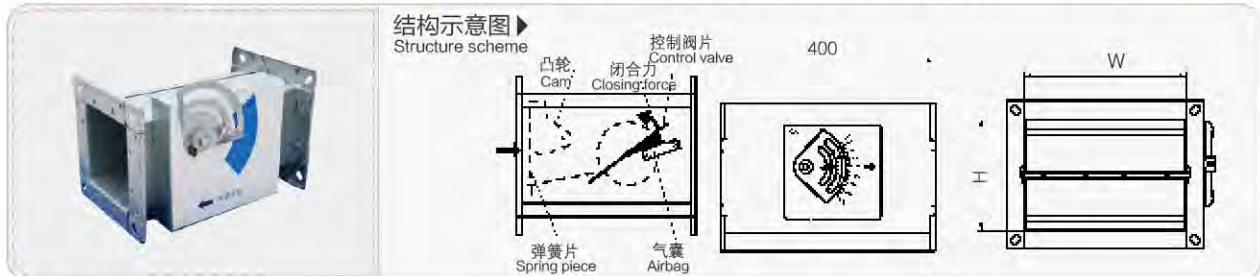
People's health, feeling as well as their working efficiency is closely related to the room air quality. Our company has a lot of experience in room and system solution, with the mature technology, we can provide complete products as well as solutions in regional and indoor energy-saving control field. It can be widely used in many sensitive working area such as recreational, industrial and commercial areas. Variable Air Volume conditioning system is such a kind of condition system that can adjust the room temperature by changing the air supply. The terminal for the VAV is the most important part of the system. The system terminal device can adjust the indoor air supply automatically to adjust the room temperature, which can greatly reduce power energy of the blower and save at most 50% of the energy consumption for the system.

The compact VAV terminal device (VAV BOX) which is composed of the actuator, controller and sensor. The actuator use well-known BELIMO built-in smart chip and has a high degree of automation. The controller can be controlled either in traditional way or in DDC or MP-BUS. The controller which is controlled by MP-BUS can connect indoor control module by built-in Long Works and BAC net communication, which can realize intelligent building with the computer operation and management.

COV can work without external power. The control valve is supported by the pin in the pipe of it. The power generated from the flowing air will locate the valve and make the flow to be at the setting value within the permitted tolerance.

The power of the air generated from the control valve make it close and it will be increased by the inflated balloon while the inflated balloon can oscillate the damp. The power to combat closing force will be generated from spring calibration and the spring is adjusted by the cam. It can make the flow to be at the value with minor error by adjusting the angle of the control valve automatically when the pressure difference changes.

SMC-S机械式方型定风量阀 SMC-S MECHANICAL SQUARE AIR VOLUME CONTROL VALVE

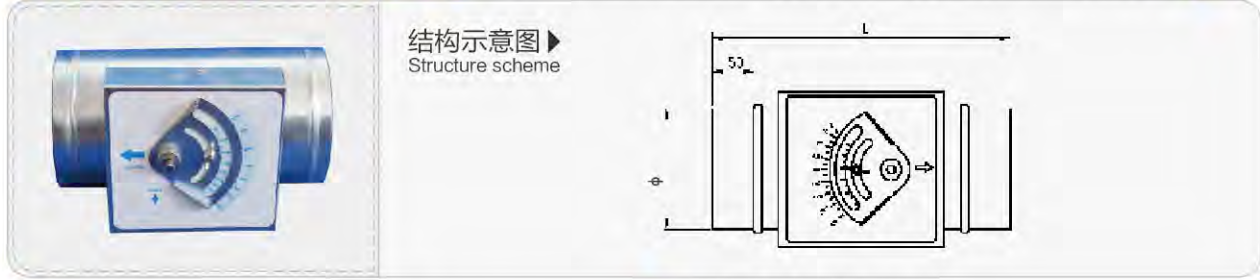


- **材质:** 镀锌钢板
- **规格尺寸:** W × H配合风管尺寸
- **特性:** 自动机械动态平衡，无需外部动力；适用于送风管或排风管；外部指针显示流量刻度。
- **Material:** Aluminum alloy sections
- **Specification:** (W × H) size can be manufactured according to design.
- **Features:** Automatic dynamic balancing without external power; Suitable for blast pipe or exhaust duct; External pointer display flow scale.

运行参数/结构尺寸 (单位mm) Operation parameters/structure size (Unit mm)

B × H (mm)	风量(m³/h) Air volume	A	C	最小压差(Pa) The minimum differential pressure	B × H (mm)	风量(m³/h) Air volume	A	C	最小压差(Pa) The minimum differential pressure
200 × 100	145-578	264	164	50	400 × 300	1134-4535	464	364	50
300 × 100	236-935	364	164	50	500 × 300	1351-5498	564	664	50
300 × 150	376-1510	364	214	50	600 × 300	1510-6046	664	614	50
300 × 200	465-1870	364	264	50	400 × 400	1510-6046	464	464	50
400 × 200	750-3020	464	264	50	500 × 400	1658-6626	464	464	50
500 × 200	826-3310	564	264	50	600 × 400	1838-7346	464	464	50
600 × 200	920-3670	664	264	50	500 × 500	2162-8664	564	564	50
400 × 250	790-3170	464	314	50	600 × 500	2306-9218	564	564	50
500 × 250	1060-4322	564	314	50	600 × 600	3026-12098	564	564	50
600 × 250	1150-4610	664	314	50					

SMC-R机械式圆型定风量阀 SMC-R MECHANICAL CIRCULAR AIR VOLUME CONTROL VALVE >>

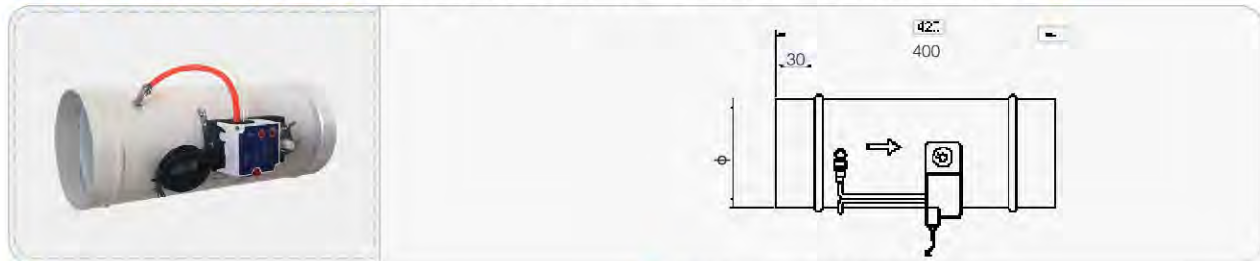


- **材质:** 镀锌钢板
- **规格尺寸:** φ 配合风管尺寸
- **特性:** 自动机械机构, 无需外部动力; 适用于送风管或排风管; 外部指针显示流量刻度。
- **Material:** Galvanized steel sheets
- **Specification:** φ to fit for the size of air pipe
- **Features:** Automatic mechanism without external power; Suitable for blast pipe or exhaust duct; External pointer display flow scale.

运行参数/结构尺寸 (单位mm) Operation parameters/structure size (Unit mm) ▶

尺寸 size	风量(m³/h) Air volume	最小全压降(pa) The minimum total pressure drop	外壳D The shell	外壳L The shell
80	40-160	100	78	250
100	80-320	50	98	300
125	120-500	50	123	300
160	210-860	50	158	300
200	320-1290	50	198	300
250	520-2090	50	248	400
315	830-3310	50	313	400
400	1260-5040	50	398	400

SVD-R圆型变风量阀 SVD-R CIRCULAR VARIABLE AIR VOLUME CONTROL VALVE >>

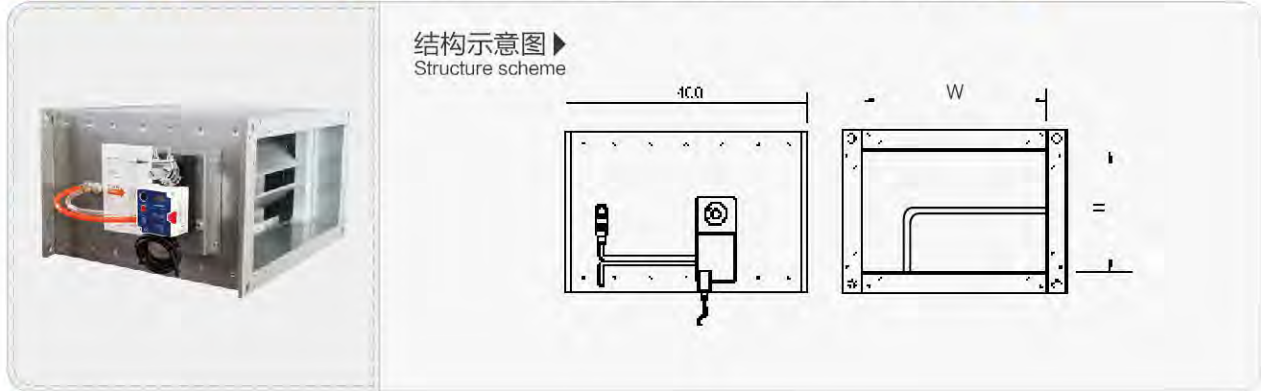


- **材质:** 镀锌钢板
- **规格尺寸:** φ 配合风管尺寸
- **特性:** 适用于变风量或定风量系统; 可适用于不同的风量控制模式; 可实现多种应用模式 (供冷/供冷加再热/供热); 镀锌钢板外壳, 内粘玻璃纤维保温消音棉, 配置双十字风速传感器、低漏风率的风阀。
- **Material:** Galvanized steel sheets
- **Specification:** φ to fit for the size of air pipe
- **Features:** Suitable for constant or variable air volume system and can be applied to different air control modes. Designed for multiple application modes (Cooling only/Cooling and then heating/Heating only). Galvanized steel casing and glass fiber insulation silencing cotton inside. Equipped with double C1088 wind sensor and air valve with low air leakage rate.

运行参数/结构尺寸 (单位mm) Operation parameters/structure size (Unit mm) ▶

名义管径 Nominal pipe diameter	风量 (m³/h) Air volume	φ D	压力损失(pa) The pressure loss
100	70-340	98	25
125	108-542	123	25
160	182-902	158	25
200	286-1456	198	25
250	430-2212	248	25
315	758-3692	313	30
400	1226-6050	398	30

SVD-S方型变风量阀 SVD-S SQUARE VARIABLE AIR VOLUME CONTROL VALVE



- **材质:** 镀锌钢板
- **特性:** 适用于变风量或定风量系统; 适用于空气处理机组的新风或回风控制, 以及送风管路的风量控制; 可适用于不同的风量控制模式; 可实现多种应用模式 (供冷/供冷加再热/供热); 镀锌钢板外壳, 多叶对开阀门。
- **规格尺寸:** (W × H) 配合风管尺寸
- **Material:** Galvanized steel sheets
- **Features:** Suitable for constant or variable air volume system Designed to control fresh air or return air of air handing unit and to control air volume about ai supply pipelines Suitable for different air volume control modes and has multiple application modes (Cooling only Cooling and then heating/Heating only). Galvanized steel casing and multi-blade open valve.
Specification: (W x H) Size can be manufactured according to design.
- **Specification:** φ to fit for the size of air pipe

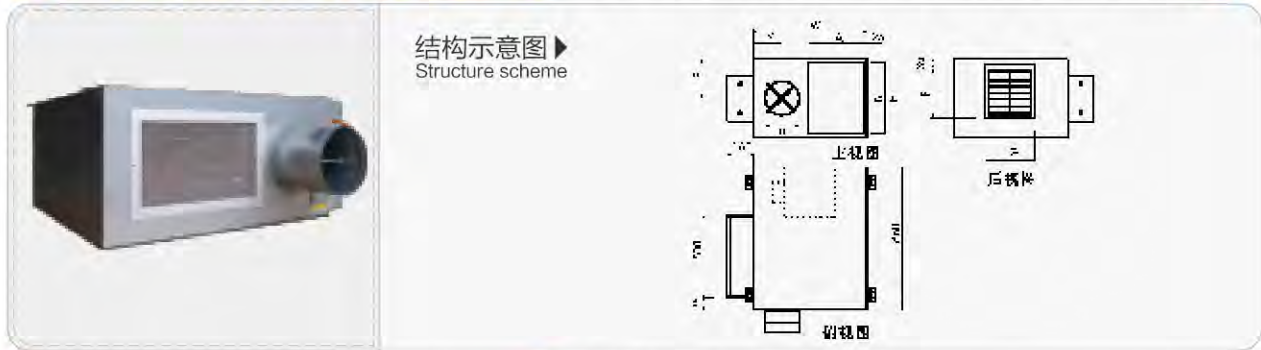
运行参数/结构尺寸 (单位mm) Operation parameters/structure size (Unit mm)

B × H (mm)	风量 (m³/h) Air volume	压力损失(pa) The pressure loss	B × H (mm)	风量 (m³/h) Air volume	压力损失(pa) The pressure loss	B × H (mm)	风量 (m³/h) Air volume	压力损失(pa) The pressure loss
200 × 100	162-774	20-40 (10-185)	700 × 300	1548-7740	20-35 (10-185)	1000 × 500	3672-18360	20-40 (10-185)
300 × 100	234-1152		800 × 300	1764-8820		600 × 600	2628-13140	
400 × 100	306-1530		900 × 300	1998-9972		700 × 600	3060-15300	
500 × 100	378-1926		1000 × 300	2234-11160		800 × 600	3492-17460	
600 × 100	468-2340		400 × 400	1170-5868		900 × 600	3960-19800	
200 × 200	306-1494		500 × 400	1476-7344		1000 × 600	4392-21960	
300 × 200	450-2232		600 × 400	1764-8820		700 × 700	3564-17820	
400 × 200	594-2970		700 × 400	2052-10260		800 × 700	4104-20520	
500 × 200	738-3726		800 × 400	2340-11170		900 × 700	4608-23040	
600 × 200	900-4500		900 × 400	2646-13212		1000 × 700	5112-25560	
700 × 200	1044-5220	20-35 (10-185)	1000 × 400	2952-13212	20-40 (10-185)	800 × 800	4680-23400	20-40 (10-185)
700 × 200	1188-5940		500 × 500	1836-9144		900 × 800	5256-26280	
300 × 300	666-3312		600 × 500	2196-10980		1000 × 800	5832-29160	
400 × 300	882-4428		700 × 500	2556-12780		900 × 900	5904-29520	
500 × 300	1098-5526		800 × 500	2916-14580		1000 × 900	6552-32760	
600 × 300	1332-6660		900 × 500	3294-16452		1000 × 1000	7272-36360	

运行参数/结构尺寸 (单位mm) Operation parameters/structure size (Unit mm) ▶

型号 Model	一次风量 An air volume	风机风量 Fan air volume	风机功率 The fan power W	入口尺寸 The entrance size in	W	H	回风口 Return air mouth		D	回风口 Return air mouth		X	Y	Z
	CMH	CMH		A			B	F		G				
2	890	760	42	6	737	381	330	330	149	290	290	191	175	45
	1550	760	42	8	737	381	330	330	200	290	290	191	175	45
3	1550	890	42	8	737	381	330	330	200	290	290	191	175	45
	2240	890	42	10	737	381	330	330	251	290	290	191	175	45
4	2240	1590	120	10	737	381	330	330	251	290	290	191	175	45
	3580	1590	120	12	737	381	330	330	302	290	290	191	175	45
5	3580	2210	200	12	940	451	432	400	302	394	356	225	229	45
	4560	2210	200	14	940	451	432	400	352	394	356	225	229	45
6	4560	2610	300	14	940	451	432	400	352	394	356	225	229	45
	6000	2610	300	16	940	451	432	400	403	394	356	225	229	45

SVT-S串联式风机动力型变风量末端 SVT-S TANDEM TYPE BLOWER POWER TYPE VAV TERMINAL ▶▶



- **材质:** 镀锌钢板
- **规格尺寸:** (W×H) 配合风管尺寸
- **结构特点:** 提供优越的舒适性区域控制; 风机在占用时间连续运行, 为负荷空间提供定风量送风; 一次风阀控制进入末端机组的一次冷风, 直通过风机送入负荷空间; 二次风阀将吊顶空间的回风诱导入机组内, 提供了送风温度, 改善了室内气流组织; 镀锌钢板外壳, 内粘玻璃纤维保温消音棉, 配置双十字风速传感器、低漏风率的风阀。
- **Material:** Galvanized steel sheets
- **Specification:** (W x H) Size can be manufactured according to design.
- **Features:** Provide superior comfortable area control. The blower will be continuously running during set time and provide constant air for load space Primary cold air from the terminal unit controlled by the valve will be supplied into load space by the blower directly. Secondary air outlet induct the return air from the ceiling space into the uni. which provide the air supply temperature and improve room air distribution. Galvanized steel casing and glass fiber insulation silencing cotton inside, Equipped with double crosswind sensor and i valve with low air leakage rate.

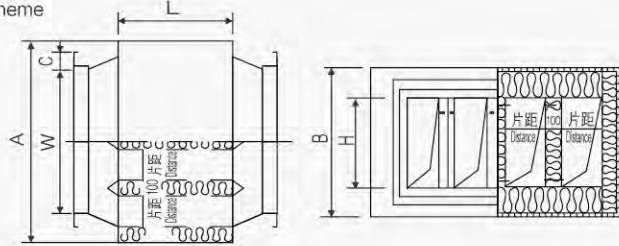
运行参数/结构尺寸 (单位mm) Operation parameters/structure size (Unit mm) ▶

型号 Model	一次风量 An air volume	风机风量 Fan air volume	风机功率 The fan power W	入口尺寸 The entrance size in	W	H	回风口 Return air mouth		D	回风口 Return air mouth		X	Y	Z
	CMH	CMH		A			B	F		G				
2	730	730	42	6	532	380	230	325	149	318	381	190	135	25
3	730	1270	120	6	532	380	230	325	149	318	381	190	135	25
	1270	1270	120	8	532	380	230	325	200	318	381	190	135	25
4	1270	2200	165	8	819	451	365	381	200	318	559	225	187	35
	2200	2200	165	10	819	451	365	381	251	318	559	225	187	35
5	2200	2670	320	10	819	451	365	381	251	381	559	225	187	35
	2670	2670	320	12	819	451	365	381	302	381	559	225	213	35
6	2670	3280	400	12	819	451	365	381	302	381	622	225	213	35
	3280	3280	400	14	819	451	366	381	352	381	622	225	213	35

SPM-ZP100片式管道消声器 SPM-ZP100 TYPE PIPING MUFFLER >>

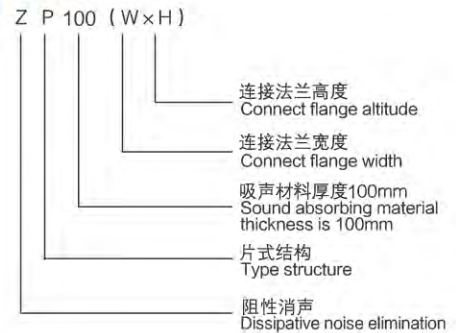


结构示意图
Structure scheme



- **材质:** 镀锌钢板
- **结构:** 消声腔内壁填塞离心玻璃棉, 外覆玻璃布Φ4mm孔径多孔板。导风片厚度100mm。
- **主要技术参数:**
 - 消声量: 18.5dB (A) (有效长度1m时)
 - 阻力损失: 20Pa (风速6m/S)
- **注:**
 - 当W < 250时不装导风片
 - C尺寸按国标或根据用户需要
- **Material:** Galvanized steel sheets
- **Structure:** Pack centrifugal glass cotton inside the muffler and cover it with glass cloth and Φ 4mm perforated plate. The thickness of the air guide sheets is 100mm.
- **Main technical parameter:**
 - Noise reduction; 18.5dB(A) (effective length 1m)
 - Resistance loss: 20Pa (air velocity 6m/S)
- **Notes:**
 - When W < 250, there's no need to install air guide sheets
 - C size is according to GB or customer's requirement.

■ 型号含义:



SPM-ZP100片式管道消声器实测 SPM-ZP100 Type piping muffler actual tests >

表(二)ZP100(500 × 300)型消声的性能实测结果 Table (2) Actual test result for ZP100 (500 × 300) type noise elimination

Hz	31.5赫	63	125	250	500	1K	2K	4K	8K	A
替代空管: 静态 Replace blank pipe: Static condition	3m/s	60.0	72.0	85.0	89.5	85.5	84.0	70.0	48.5	91.0
	6m/s	60.0	72.0	85.0	90.0	85.5	84.5	70.5	49.0	92.0
	6m/s	60.5	72.0	85.0	89.5	85.5	84.5	71.0	49.0	91.5
	9m/s	62.5	72.0	85.0	89.5	85.5	84.5	71.0	49.0	92.0
ZP100(500 × 300)消声器: 静态 Muffler: Static condition	3m/s	57.0	61.5	70.0	57.0	62.5	71.0	58.5	42.0	73.5
	3m/s	57.0	61.5	70.0	57.0	63.0	71.0	59.0	42.0	73.5
	6m/s	57.0	61.5	70.0	57.5	62.5	71.0	58.5	42.5	74.0
	9m/s	60.0	62.0	70.0	60.0	62.5	71.0	59.0	42.5	73.5
插入损失消声量: 静态 Insertion loss of noise reduction: Static condition	3m/s	3.0	10.5	15.0	32.5	23.0	13.0	11.5	6.5	17.5
	3m/s	3.0	10.5	15.0	33.0	22.5	13.5	11.5	7.0	18.5
	6m/s	3.5	10.5	15.0	32.0	23.0	13.5	12.5	6.5	17.5
	9m/s	2.5	10.0	15.0	29.5	23.0	13.5	12.0	6.5	18.5

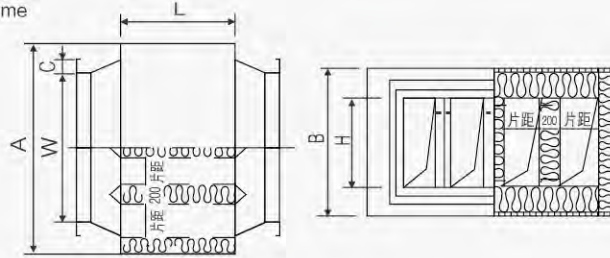
SPM-ZP100片式管道消声器系列表 SPM-ZP100 Type piping muffler series table

序号 Number	型号 Type	外形尺寸 Size			有效 长度 Effective length mm (L)	通流 面积 Flow area m ²	法兰尺寸mm Flange size		V=5m/s时		V=6m/s时		V=7m/s时		V=8m/s时		V=9m/s时		V=10m/s时	
		宽 Wide (A)	高 High (B)	总长 Total length			流量 Flow rate m ³ /h	阻力 Resistance mmH ₂ O	流量 Flow rate m ³ /h	阻力 Resistance mmH ₂ O	流量 Flow rate m ³ /h	阻力 Resistance mmH ₂ O	流量 Flow rate m ³ /h	阻力 Resistance mmH ₂ O	流量 Flow rate m ³ /h	阻力 Resistance mmH ₂ O	流量 Flow rate m ³ /h	阻力 Resistance mmH ₂ O	流量 Flow rate m ³ /h	阻力 Resistance mmH ₂ O
1	ZP100(250×160)	550	360	1200	1000	0.04	250	160	720	1.4	864	2.0	1003	2.5	1152	3	1296	3.5	1440	4.2
2	ZP100(250×200)	550	400	1200	1000	0.05	250	200	900	1.4	1080	2.0	1260	2.5	1440	3	1620	3.5	1800	4.2
3	ZP100(250×250)	550	450	1200	1000	0.06	250	250	1080	1.4	1296	2.0	1512	2.5	1728	3	1944	3.5	2160	4.2
4	ZP100(320×160)	620	360	1200	1000	0.05	320	160	922	1.4	1080	2.0	1260	2.5	1440	3	1620	3.5	1800	4.2
5	ZP100(320×200)	620	400	1200	1000	0.06	320	200	1152	1.4	1382	2.0	1612	2.5	1843	3	2088	3.5	2304	4.2
6	ZP100(320×250)	620	450	1200	1000	0.08	320	250	1440	1.4	1723	2.0	2061	2.5	2304	3	2592	3.5	2880	4.2
7	ZP100(320×320)	620	520	1200	1000	0.10	320	320	1800	1.4	2160	2.0	2520	2.5	2880	3	3240	3.5	3600	4.2
8	ZP100(400×200)	700	400	1200	1000	0.08	400	200	1440	1.4	1728	2.0	2016	2.5	2304	3	2592	3.5	2880	4.2
9	ZP100(400×250)	700	450	1200	1000	0.10	400	250	1800	1.4	2160	2.0	2520	2.5	2880	3	3240	3.5	3600	4.2
10	ZP100(400×320)	700	520	1200	1000	0.13	400	320	2304	1.4	2808	2.0	3276	2.5	3744	3	4212	3.5	4608	4.2
11	ZP100(400×400)	700	600	1200	1000	0.16	400	400	2880	1.4	3456	2.0	4032	2.5	4628	3	5184	3.5	5760	4.2
12	ZP100(500×200)	800	400	1200	1000	0.10	500	200	1800	1.4	2160	2.0	2520	2.5	2880	3	3240	3.5	3600	4.2
13	ZP100(500×250)	800	450	1200	1000	0.13	500	250	2304	1.4	2808	2.0	3276	2.5	3744	3	4212	3.5	4608	4.2
14	ZP100(500×320)	800	520	1200	1000	0.16	500	320	2880	1.4	3456	2.0	4032	2.5	4608	3	5184	3.5	5760	4.2
15	ZP100(500×400)	800	600	1200	1000	0.20	500	400	3600	1.4	4320	2.0	5040	2.5	5760	3	6480	3.5	7200	4.2
16	ZP100(500×500)	800	700	1200	1000	0.25	500	500	4500	1.4	5400	2.0	6700	2.5	7200	3	8100	3.5	9000	4.2
17	ZP100(630×200)	1000	410	1200	1000	0.13	630	200	2340	1.4	2808	2.0	3276	2.5	3744	3	4212	3.5	4680	4.2
18	ZP100(630×250)	1000	460	1200	1000	0.16	630	250	2880	1.4	3456	2.0	4032	2.5	4608	3	5184	3.5	5760	4.2
19	ZP100(630×320)	1000	536	1200	1000	0.20	630	320	3600	1.4	4320	2.0	5040	2.5	5760	3	6480	3.5	7200	4.2
20	ZP100(630×400)	1000	620	1200	1000	0.25	630	400	4500	1.4	5400	2.0	6700	2.5	7200	3	8100	3.5	9000	4.2
21	ZP100(630×500)	1000	720	1200	1000	0.32	630	500	5760	1.4	6912	2.0	8064	2.5	9216	3	10368	3.5	11520	4.2
22	ZP100(630×630)	1000	860	1200	1000	0.40	630	630	7200	1.4	8640	2.0	10086	2.5	11520	3	12960	3.5	14400	4.2

SPM-ZP200片式管道消声器 SPM-ZP200 TYPE PIPING MUFFLER



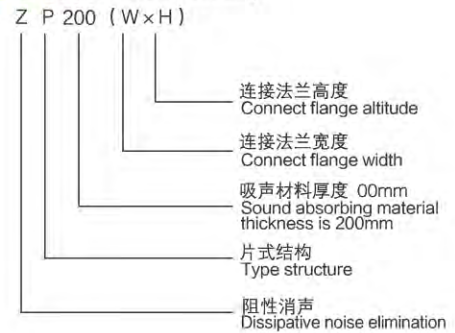
结构示意图
Structure scheme



- **材质:** 镀锌钢板
- **结构:** 消声腔内壁填塞离心玻璃棉, 外覆玻璃布Φ4mm孔径多孔板。导风片厚度200mm。
- **主要技术参数:**
 - 消声量: 25dB(A) (有效长度1m时)
 - 阻力损失: 40Pa (风速6m/S)
- **注:**
 - 当W < 250时不装导风片
 - C尺寸按国标或根据用户需要

- **Material:** Galvanized steel sheets
- **Structure:** Pack centrifugal glass cotton inside the muffler and cover it with glass cloth and ϕ 4mm perforated plate. The thickness of the air guide sheets is 200mm.
- **Main technical parameter:**
 - Noise reduction: 25dB(A) (effective length 1m)
 - Resistance loss: 40Pa (air velocity 6m/S)
- **Notes:**
 - When $W < 250$, there's no need to install air guide sheets
 - C size is according to GB or customer's requirement.

■ **型号含义** Model meaning:



SPM-ZP200片式管道消声器实测 SPM-ZP200 Type piping muffler actual tests

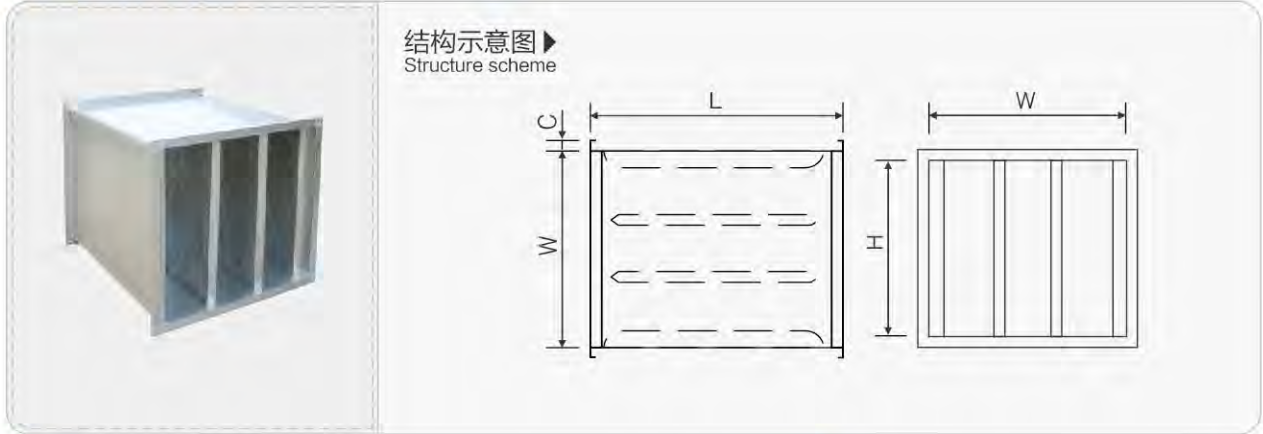
表(二)ZP200(500 × 320)型消声的性能实测结果 Table (2) Actual test result for ZP200 (500 × 320) type noise elimination

Hz	31.5赫	63	125	250	500	1K	2K	4K	8K	A
替代空管: 静态 Replace blank pipe: Static condition	3m/s	64.0	85.0	92.0	92.5	93.0	92.0	93.0	90.0	88.0
	6m/s	64.5	84.5	92.0	92.0	93.0	92.0	93.0	89.5	88.5
	9m/s	65.0	85.0	92.0	92.0	93.5	92.0	93.5	89.5	89.5
		65.5	85.0	92.0	92.0	93.0	93.0	94.0	89.5	90.0
ZP200(500 × 320)消声器: 静态 Muffler: Static condition	3m/s	60.0	75.0	78.0	78.0	62.0	63.5	72.5	72.5	64.0
	6m/s	60.0	75.0	77.5	77.5	61.5	63.0	73.0	72.5	64.0
	9m/s	60.5	75.5	77.0	77.0	62.0	63.5	74.0	73.0	64.5
		61.5	76.0	77.5	77.5	62.5	65.0	75.5	73.5	65.0
插入损失消声量: 静态 Insertion loss of noise reduction: Static condition	3m/s	4.0	10.0	14.0	14.0	31.0	28.5	20.5	17.5	24.0
	阻力损失 $\Delta H_1=1.5\text{mmH}_2\text{O}$ Resistance loss	4.5	9.5	14.5	14.5	31.5	29.0	20.0	17.0	24.5
	阻力损失 $\Delta H_2=4.0\text{mmH}_2\text{O}$ Resistance loss	4.5	9.5	15.0	15.0	31.5	28.5	19.5	16.5	25.0
	阻力损失 $\Delta H_3=7.0\text{mmH}_2\text{O}$ Resistance loss	4.0	9.0	14.0	14.0	30.5	28.0	18.5	16.0	25.0

SPM-ZP200片式管道消声器系列表 SPM-ZP200 Type piping muffler series table

序号 Number	型号 Type	外形尺寸 Size			有效 长度 Effective length mm (L)	流通 面积 Flow area m ²	法兰尺寸mm Flange size		V=5m/s时		V=6m/s时		V=7m/s时		V=8m/s时		V=9m/s时		V=10m/s时	
		宽 Wide A	高 High B	总长 Total length			流量 Flow rate m ³ /h	阻力 Resistance mmh ₂ O	流量 Flow rate m ³ /h	阻力 Resistance mmh ₂ O	流量 Flow rate m ³ /h	阻力 Resistance mmh ₂ O	流量 Flow rate m ³ /h	阻力 Resistance mmh ₂ O	流量 Flow rate m ³ /h	阻力 Resistance mmh ₂ O	流量 Flow rate m ³ /h	阻力 Resistance mmh ₂ O	流量 Flow rate m ³ /h	阻力 Resistance mmh ₂ O
1	ZP200(320×320)	640	420	1500	1000	0.10	320	320	1800	3.4	2160	4	2520	4.8	2880	5.8	3240	7	3600	8.5
2	ZP200(400×320)	640	500	1500	1000	0.13	400	320	2340	3.4	2808	4	3276	4.8	3744	5.8	4212	7	4680	8.5
3	ZP200(400×400)	640	660	1500	1000	0.16	400	400	2880	3.4	3456	4	4032	4.8	4608	5.8	5184	7	5760	8.5
4	ZP200(500×320)	960	450	1500	1000	0.16	500	320	2880	3.4	3456	4	4032	4.8	4608	5.8	5184	7	5760	8.5
5	ZP200(500×400)	960	550	1500	1000	0.20	500	400	3600	3.4	4320	4	5040	4.8	5760	5.8	6480	7	7200	8.5
6	ZP200(500×500)	960	700	1500	1000	0.25	500	500	44500	3.4	5400	4	6300	4.8	7200	5.8	8100	7	9000	8.5
7	ZP200(630×320)	960	550	1500	1000	0.20	630	320	3600	3.4	4320	4	5040	4.8	5760	5.8	6480	7	7200	8.5
8	ZP200(630×400)	960	630	1500	1000	0.24	630	400	4320	3.4	5184	4	6048	4.8	6912	5.8	7776	7	8640	8.5
9	ZP200(630×500)	960	800	1500	1000	0.32	630	500	5760	3.4	6912	4	8064	4.8	9216	5.8	10368	7	11520	8.5
10	ZP200(630×630)	960	1000	1500	1000	0.40	630	630	7200	3.4	8640	4	10080	4.8	11520	5.8	12960	7	14400	8.5
11	ZP200(800×320)	1280	550	1500	1000	0.26	800	320	4680	3.4	5616	4	6550	4.8	7488	5.8	8424	7	9360	8.5
12	ZP200(800×400)	1280	650	1500	1000	0.32	800	400	5760	3.4	6912	4	8064	4.8	9216	5.8	10368	7	11520	8.5
13	ZP200(800×500)	1280	800	1500	1000	0.40	800	500	7200	3.4	8640	4	10080	4.8	11520	5.8	12960	7	14400	8.5
14	ZP200(800×630)	1280	1000	1500	1000	0.50	800	630	9000	3.4	10800	4	12600	4.8	14400	5.8	16200	7	18000	8.5
15	ZP200(1000×320)	1600	550	1500	1000	0.32	1000	320	5760	3.4	6912	4	8064	4.8	9216	5.8	10368	7	11520	8.5
16	ZP100(1000×400)	1600	650	1500	1000	0.40	1000	400	7200	3.4	8640	4	10080	4.8	11520	5.8	12960	7	14400	8.5
17	ZP100(1000×500)	1600	800	1500	1000	0.50	1000	500	9000	3.4	10800	4	12600	4.8	14400	5.8	16200	7	18000	8.5
18	ZP100(1000×630)	1600	1000	1500	1000	0.63	1000	630	11340	3.4	13608	4	15876	4.8	18144	5.8	20412	7	22680	8.5
19	ZP200(1250×400)	1920	630	1500	1000	0.50	1250	400	9000	3.4	10800	4	10080	4.8	14400	5.8	16200	7	18000	8.5
20	ZP200(1250×500)	1920	800	1500	1000	0.63	1250	500	11340	3.4	13608	4	15876	4.8	18144	5.8	20412	7	22680	8.5
21	ZP200(1250×630)	1920	1000	1500	1000	0.79	1250	630	14220	3.4	17064	4	19908	4.8	22752	5.8	25596	7	28440	8.5
22	ZP200(1250×800)	1920	1200	1500	1000	1.00	1250	800	18000	3.4	21600	4	25200	4.8	28800	5.8	32400	7	36000	8.5

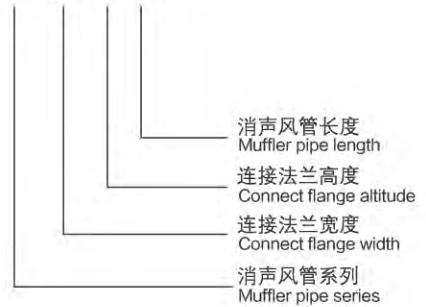
SMD消声风管 SMD MUFFLER PIPE >>



- **材质:** 镀锌钢板
- **结构:** 消声腔内壁填塞离心玻璃棉, 外覆玻璃布Φ4mm孔径多孔板。龙骨为镀锌板。
- **主要技术参数:**
 - 消声量: 14.5dB (A) (有效长度1m时)
 - 阻力损失: 15Pa (风速6m/S)
- **注:** C尺寸按国标或根据用户需要
- **Material:** Galvanized steel sheets
- **Structure:** Pack centrifugal glass cotton inside the muffler and cover it with glass cloth and ϕ 4mm perforated plate. The keel is galvanized sheet.
- **Main technical parameter:**
 - Noise reduction: 14.5dB(A) (effective length 1m)
 - Resistance loss: 15Pa (air velocity 6m/S)
- **Notes:** C size is according to GB or customer's requirement.

■ **型号含义:**

SMD (W × H × L)



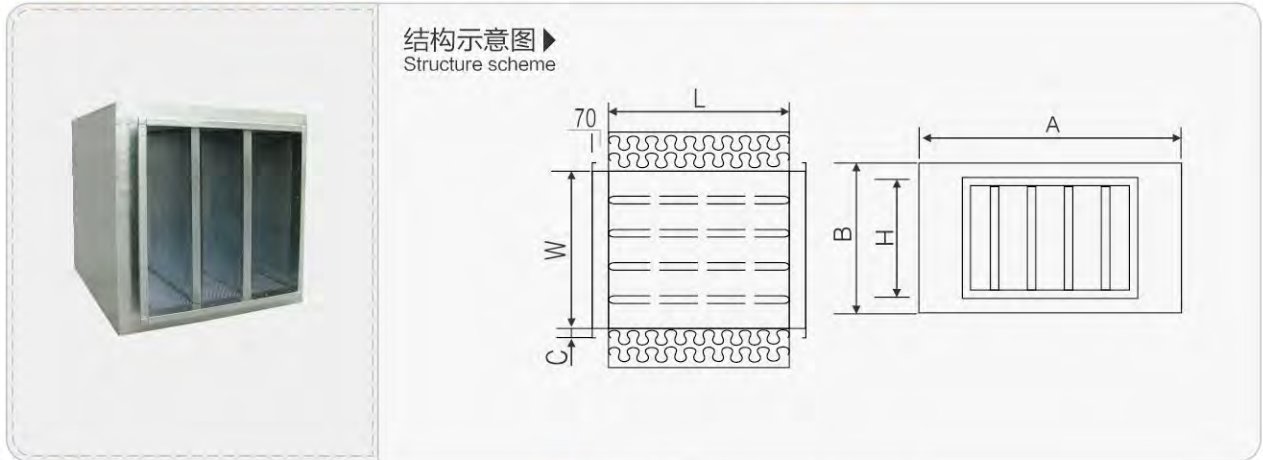
SMD消声风管的性能实测结果 SMD The actual test result for xsg muffler pipes function >

工况 Working condition	频率 Frequency	63	125	250	500	1K	2K	4K	8K	A
空管: 静态 Blank pipe: Static condition	3m/s	65.0	71.0	95.5	97.0	90.5	90.5	77.5	60.5	84.5
	6m/s	66.5	71.0	95.5	97.0	90.5	90.5	78.0	60.5	84.5
	9m/s	68.5	71.5	95.5	97.0	90.5	91.0	78.0	60.5	84.5
	静态 Static condition	64.5	70.5	87.5	82.5	72.0	79.5	69.0	55.5	69.5
消声器: 静态 Muffler: Static condition	3m/s	64.5	71.0	87.5	82.5	71.5	79.5	69.5	55.0	69.5
	6m/s	66.0	70.5	87.5	93.0	71.5	79.5	70.0	55.0	70.0
	9m/s	68.0	71.5	87.5	93.0	71.5	80.0	70.0	55.0	70.0
	静态 Static condition	0.5	0.5	8.0	14.5	18.5	11.0	8.5	5.0	15.0
消声量: 静态 Noise reduction: Static condition	阻力损失 $\Delta H=1.0\text{mmH}_2\text{O}$ Resistance loss	1.0	0.5	8.5	14.5	19.0	11.0	8.0	5.5	15.0
	阻力损失 $\Delta H=2.0\text{mmH}_2\text{O}$ Resistance loss	0.5	0.5	8.0	14.0	19.0	11.0	8.0	5.5	14.5
	阻力损失 $\Delta H=5.5\text{mmH}_2\text{O}$ Resistance loss	0.5	0.5	8.0	14.0	19.0	11.0	8.0	5.5	14.5

SMD消声风管系列表 SMD Muffler pipe series table

序号 Number	型号 Type	法兰尺寸 Flange size			长 Long (L)	流通 面积 Flow area m ²	V=3m/s时		V=6m/s时		V=9m/s时	
		宽 Wide (W)	高 High (H)	流量 Flow rate m ³ /h			阻力 Resistance mmh ₂ O	流量 Flow rate m ³ /h	阻力 Resistance mmh ₂ O	流量 Flow rate m ³ /h	阻力 Resistance mmh ₂ O	
1	XSG(250×160)	250	160	1000	0.04	432	1.0	864	2.0	1296	5.5	
2	XSG(250×200)	250	200	1000	0.05	540	1.0	1080	2.0	1620	5.5	
3	XSG(250×250)	250	250	1000	0.06	648	1.0	1296	2.0	1944	5.5	
4	XSG(320×160)	320	160	1000	0.05	606	1.0	1080	2.0	1620	5.5	
5	XSG(320×200)	320	200	1000	0.06	692	1.0	1382	2.0	1194	5.5	
6	XSG(320×250)	320	250	1000	0.08	874	1.0	1723	2.0	2592	5.5	
7	XSG(320×320)	320	320	1000	0.10	1080	1.0	2160	2.0	3240	5.5	
8	XSG(400×200)	400	200	1000	0.08	864	1.0	1728	2.0	2592	5.5	
9	XSG(400×250)	400	250	1000	0.10	1080	1.0	2160	2.0	3240	5.5	
10	XSG(400×320)	400	320	1000	0.13	1296	1.0	2808	2.0	4212	5.5	
11	XSG(400×400)	400	400	1000	0.16	1728	1.0	3456	2.0	5184	5.5	
12	XSG(500×200)	500	200	1000	0.10	1080	1.0	2160	2.0	3240	5.5	
13	XSG(500×250)	500	250	1000	0.13	1296	1.0	2808	2.0	4212	5.5	
14	XSG(500×320)	500	320	1000	0.16	1728	1.0	3456	2.0	5184	5.5	
15	XSG(500×400)	500	400	1000	0.20	2160	1.0	4320	2.0	6480	5.5	
16	XSG(500×500)	500	500	1000	0.25	2700	1.0	5400	2.0	8100	5.5	
17	XSG(630×250)	630	250	1000	0.16	1728	1.0	3456	2.0	5184	5.5	
18	XSG(630×320)	630	320	1000	0.20	2160	1.0	4320	2.0	6480	5.5	
19	XSG(630×400)	630	400	1000	0.25	2700	1.0	5400	2.0	8100	5.5	
20	XSG(630×500)	630	500	1000	0.32	3456	1.0	6912	2.0	10368	5.5	
21	XSG(630×630)	630	630	1000	0.40	4320	1.0	8640	2.0	12960	5.5	
22	XSG(800×250)	800	250	1000	0.20	2160	1.0	4320	2.0	6480	5.5	
23	XSG(800×320)	800	320	1000	0.26	2568	1.0	5166	2.0	7749	5.5	
24	XSG(800×400)	800	400	1000	0.32	3456	1.0	6912	2.0	10368	5.5	
25	XSG(800×500)	800	500	1000	0.40	4185	1.0	8370	2.0	12555	5.5	
26	XSG(800×630)	800	630	1000	0.50	5616	1.0	10800	2.0	16200	5.5	
27	XSG(800×800)	800	800	1000	0.64	6912	1.0	13824	2.0	20736	5.5	
28	XSG(1000×250)	1000	250	1000	0.25	2700	1.0	5400	2.0	8100	5.5	
29	XSG(1000×320)	1000	320	1000	0.32	3456	1.0	6912	2.0	10368	5.5	
30	XSG(1000×400)	1000	400	1000	0.40	4185	1.0	8370	2.0	12555	5.5	
31	XSG(1000×500)	1000	500	1000	0.50	5616	1.0	10800	2.0	16200	5.5	
32	XSG(1000×630)	1000	630	1000	0.63	6764	1.0	13628	2.0	20442	5.5	
33	XSG(1000×800)	1000	800	1000	0.80	8640	1.0	17280	2.0	25920	5.5	
34	XSG(1000×1000)	1000	1000	1000	1.00	10800	1.0	21600	2.0	32400	5.5	
35	XSG(1250×320)	1250	320	1000	0.40	4185	1.0	8370	2.0	12555	5.5	
36	XSG(1250×400)	1250	400	1000	0.50	5616	1.0	10800	2.0	16200	5.5	
37	XSG(1250×500)	1250	500	1000	0.63	6534	1.0	13608	2.0	20412	5.5	
38	XSG(1250×630)	1250	630	1000	0.79	8397	1.0	17064	2.0	25596	5.5	
39	XSG(1250×800)	1250	800	1000	1.00	10800	1.0	21600	2.0	32400	5.5	
40	XSG(1250×1000)	1250	1000	1000	1.25	13500	1.0	27000	2.0	40500	5.5	

SIM阻抗复合式消声器 SIM IMPEDANCE COMPOSITE MUFFLER >>



- **材质:** 镀锌钢板
 - **结构:** 消声腔内壁填塞离心玻璃棉, 外覆玻璃布Φ4mm孔径多孔板。龙骨为镀锌板。
 - **主要技术参数:**
 - 消声量: 19dB(A) (有效长度1m时)
 - 阻力损失: 20Pa (风速6m/S)
 - **注:** C尺寸按国标或根据用户需要
- **Material:** Galvanized steel sheets
 - **Structure:** Pack centrifugal glass cotton inside the muffler and cover it with glass cloth and ϕ 4mm perforated plate. The keel is galvanized sheet.
 - **Main technical parameter:**
 - Noise reduction: 19dB(A) (effective length 1m)
 - Resistance loss: 20Pa (air velocity 6m/S)
 - **Notes:** C size is according to GB or customer's requirement.

SIM阻抗复合式消声器 (1000×630) 消声性能实测表 Actual test table for SIM impedance composite muffler's noise elimination function (1000*630) ▶

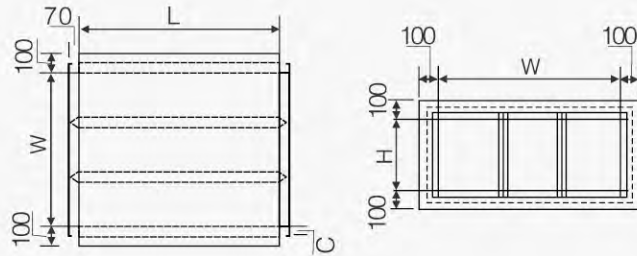
工况 Working condition	频率 Frequency	63	125	250	500	1K	2K	4K	8K	A
	空管: 静态 Blank pipe: Static condition		55.0	79.0	90.0	94.5	101.0	101.0	98.5	71.0
	3m/s	54.5	78.5	90.0	94.0	101.5	100.5	98.5	70.5	98.5
	6m/s	54.5	78.5	89.5	94.0	101.5	101.0	98.0	69.0	98.5
	9m/s	61.0	77.0	89.5	94.5	102.0	102.0	97.0	69.0	99.0
消声器: 静态 Muffler: Static condition		52.0	70.0	82.0	83.5	83.0	76.5	78.5	60.5	79.0
	3m/s	51.5	70.0	81.5	84.0	83.0	76.5	78.5	60.5	79.5
	6m/s	50.0	69.0	81.5	84.0	83.5	76.5	78.0	57.5	79.5
	9m/s	58.5	67.5	82.0	84.0	84.0	76.5	77.0	57.5	79.5
消声量: 静态 Noise reduction: Static condition		3.0	9.0	8.0	11.0	18.0	24.5	20.0	10.5	20.0
	3m/s	3.0	8.5	8.5	10.0	18.5	40.0	19.5	9.5	19.0
	6m/s	2.5	9.5	8.0	10.0	18.0	24.5	20.0	11.5	19.0
	9m/s	2.5	9.5	7.5	10.5	18.0	25.5	20.0	12.0	19.5

防止损失: 3m/s: $\Delta H=0.5\text{mmH}_2\text{O}$ 6m/s: $\Delta H=1.0\text{mmH}_2\text{O}$ 9m/s: $\Delta H=1.5\text{mmH}_2\text{O}$
Prevent loss: 3m/s: $\Delta H=0.5\text{mmH}_2\text{O}$ 6m/s: $\Delta H=1.0\text{mmH}_2\text{O}$ 9m/s: $\Delta H=1.5\text{mmH}_2\text{O}$

SMM微穿孔消声器 SMM MICRO PERFORATED MUFFLER



结构示意图
Structure scheme



■ **材质:** 镀锌钢板

■ **结构:**
消声腔内壁为双层微穿孔板。
(不填任何纤维类消声材料) 面板、龙骨为镀锌板。

■ **主要技术参数:**
● 消声量: 12dB (A) (有效长度1m时)
● 阻力损失: 15Pa

■ **注:** C尺寸按国标或根据用户需要

■ **Material:** Galvanized steel sheets

■ **Structure:**
It is double-layer micro perforated plate inside the muffler.(There's no any fiber nechoic material inside.) Surface and keel is made of galvanized sheets.

■ **Main technical parameter:**
● Noise reduction: 12dB(A) (effective length 1m)
● Resistance loss: 15Pa

■ **Notes:** C size is according to GB or customer's requirement.

SMM微穿孔消声器性能实测表 Actual test table for SMM micro perforated muffler

风速 Air velocity M/S	插入损失消声量和阻力损失 Insertion loss of noise reduction and resistance loss									
	倍频带声压级 Octave band pressure level								A声级 sound level db(A)	阻力损失 Resistance loss pa
	63	125	250	500	1K	2K	4K	8K		
3	0.5	1	7	14	17	7.5	3	1	12	15
6	0.5	1	6	13.5	17	7.5	3.5	1	12	28
9	0.5	1.5	8	14	17	7.5	3.5	1	12	60

SMM微穿孔消声器系列一览表 SMM micro perforated muffler series table

序号 Number	型号 Type	尺寸 Size			有效 长度 Effective length (L)	流通 面积 Flow area m ²	法兰尺寸 mm Flange size		V=5m/s时		V=6m/s时		V=7m/s时		V=8m/s时		V=9m/s时		V=10m/s时	
		宽 Wide (A)	高 High (B)	总长 Total length			宽 Wide (W)	高 High (H)	流量 Flow rate m ³ /h	阻力 Resistance mmh ₂ O	流量 Flow rate m ³ /h	阻力 Resistance mmh ₂ O	流量 Flow rate m ³ /h	阻力 Resistance mmh ₂ O	流量 Flow rate m ³ /h	阻力 Resistance mmh ₂ O	流量 Flow rate m ³ /h	阻力 Resistance mmh ₂ O	流量 Flow rate m ³ /h	阻力 Resistance mmh ₂ O
1	WCK (250 × 160)	450	360	1140	1000	0.04	250	160	720	2	1864	2.8	1008	3.5	1152	5	1296	6	1440	7.2
2	WCK (250 × 200)	450	400	1140	1000	0.05	250	200	900	2	1080	2.8	1260	3.5	1440	55	1620	6	1800	7.2
3	WCK (250 × 250)	450	450	1140	1000	0.06	250	250	1125	2	1350	2.8	1575	3.5	1800	5	2025	6	2250	7.2
4	WCK (320 × 160)	520	360	1140	1000	0.05	320	160	921.6	2	1106	2.8	1290	3.5	1474.6	5	1658.9	6	1843.2	7.2
5	WCK (320 × 200)	520	400	1140	1000	0.06	320	200	1152	2	1382	2.8	1613	3.5	1843.2	5	2073.6	6	2304	7.2
6	WCK (320 × 250)	520	450	1140	1000	0.08	320	250	1440	2	1728	2.8	2016	3.5	2304	5	2592	6	2880	7.2
7	WCK (320 × 320)	520	520	1140	1000	0.10	320	320	1843	2	2212	2.8	2580	3.5	2949.1	5	3317.8	6	3686.4	7.2
8	WCK (400 × 200)	600	400	1140	1000	0.08	400	200	1440	2	1728	2.8	2016	3.5	2304	5	2592	6	2880	7.2
9	WCK (400 × 250)	600	450	1140	1000	0.10	400	250	1800	2	2160	2.8	2520	3.5	2880	5	3240	6	3600	7.2
10	WCK (400 × 320)	600	520	1140	1000	0.13	400	320	2304	2	2765	2.8	3226	3.5	3686.4	5	4147.2	6	4608	7.2
11	WCK (400 × 400)	600	600	1140	1000	0.16	400	400	2880	2	3456	2.8	4032	3.5	4608	5	5184	6	5760	7.2
12	WCK (500 × 200)	700	400	1140	1000	0.10	500	200	1800	2	2160	2.8	2520	3.5	2880	5	3240	6	3600	7.2
13	WCK (500 × 250)	700	450	1140	1000	0.13	500	250	2250	2	2700	2.8	3150	3.5	3600	5	4050	6	4500	7.2
14	WCK (500 × 320)	700	520	1140	1000	0.16	500	320	2880	2	3456	2.8	4032	3.5	4608	5	5180	6	5760	7.2
15	WCK (500 × 400)	700	600	1140	1000	0.20	500	400	3600	2	4320	2.8	5040	3.5	5760	5	6480	6	7200	7.2
16	WCK (500 × 500)	700	700	1140	1000	0.25	500	500	4500	2	5400	2.8	6300	3.5	7200	5	8100	6	9000	7.2
17	WCK (630 × 200)	830	400	1140	1000	0.13	630	200	2268	2	2722	2.8	3175	3.5	3628.8	5	4082.4	6	4536	7.2
18	WCK (630 × 250)	830	450	1140	1000	0.16	630	250	2835	2	3402	2.8	3969	3.5	4536	5	5103	6	5670	7.2
19	WCK (630 × 320)	830	520	1140	1000	0.20	630	320	3629	2	4355	2.8	5080	3.5	5806.1	5	6531.8	6	7257.6	7.2
20	WCK (630 × 400)	830	600	1140	1000	0.25	630	400	4536	2	5443	2.8	6350	3.5	7257.6	5	8164.8	6	9072	7.2
21	WCK (630 × 500)	830	700	1140	1000	0.32	630	500	5670	2	6804	2.8	7938	3.5	9072	5	10206	6	11340	7.2
22	WCK (630 × 630)	830	830	1140	1000	0.40	630	630	7144	2	8573	2.8	10002	3.5	11431	5	12860	6	14288	7.2
23	WCK (800 × 250)	1000	450	1140	1000	0.20	800	250	3600	2	4320	2.8	5040	3.5	5760	5	6480	6	7200	7.2
24	WCK (800 × 320)	1000	520	1140	1000	0.26	800	320	4608	2	5530	2.8	6451	3.5	7372.8	5	8294.4	6	9216	7.2

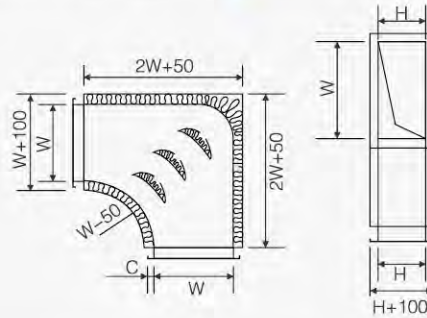
SMM微穿孔消声器系列一览表 SMM micro perforated muffler series table

序号 Number	型号 Type	尺寸 Size			有效 长度 Effective length (mm) (L)	流通 面积 Flow area m ²	法兰尺寸mm Flange size		V=5m/s时		V=6m/s时		V=7m/s时		V=8m/s时		V=9m/s时		V=10m/s时	
		宽 Wide (A)	高 High (B)	总长 Total length			宽 Wide (W)	高 High (H)	流量 Flow rate m ³ /h	阻力 Resistance mmh ₂ O	流量 Flow rate m ³ /h	阻力 Resistance mmh ₂ O	流量 Flow rate m ³ /h	阻力 Resistance mmh ₂ O	流量 Flow rate m ³ /h	阻力 Resistance mmh ₂ O	流量 Flow rate m ³ /h	阻力 Resistance mmh ₂ O	流量 Flow rate m ³ /h	阻力 Resistance mmh ₂ O
25	WCK (800 × 400)	1000	600	1140	1000	0.32	800	400	5760	2	6912	2.8	8064	3.5	9216	5	10368	6	11520	7.2
26	WCK (800 × 500)	1000	700	1140	1000	0.40	800	500	7200	2	8640	2.8	10080	3.5	11520	5	12960	6	14400	7.2
27	WCK (800 × 630)	1000	830	1140	1000	0.50	800	630	9072	2	10886	2.8	12701	3.5	14515	5	16330	6	18100	7.2
28	WCK (800 × 800)	1000	1000	1140	1000	0.64	800	800	11520	2	13824	2.8	16128	3.5	18432	5	20736	6	23040	7.2
29	WCK (1000 × 320)	1200	520	1140	1000	0.32	1000	320	5760	2	6912	2.8	8064	3.5	9216	5	10368	6	11520	7.2
30	WCK (1000 × 400)	1200	600	1140	1000	0.40	1000	400	7200	2	8640	2.8	10080	3.5	11520	5	12960	6	14400	7.2
31	WCK (1000 × 500)	1200	700	1140	1000	0.50	1000	500	9000	2	10800	2.8	12600	3.5	14400	5	16200	6	18000	7.2
32	WCK (1000 × 630)	1200	830	1140	1000	0.63	1000	630	11340	2	13608	2.8	15876	3.5	18140	5	20412	6	22680	7.2
33	WCK (1000 × 800)	1200	1000	1140	1000	0.80	1000	800	14400	2	17280	2.8	20160	3.5	23040	5	25920	6	28800	7.2
34	WCK (1000 × 1000)	1200	1200	1140	1000	1.00	1000	1000	18000	2	21600	2.8	25200	3.5	28800	5	32400	6	36000	7.2
35	WCK (1250 × 400)	1450	600	1140	1000	0.50	1250	400	9000	2	10800	2.8	12600	3.5	14400	5	16200	6	18000	7.2
36	WCK (1250 × 500)	1450	700	1140	1000	0.63	1250	500	11250	2	13500	2.8	15750	3.5	18000	5	20250	6	22500	7.2
37	WCK (1250 × 630)	1450	830	1140	1000	0.79	1250	630	14175	2	17010	2.8	19845	3.5	22680	5	25515	6	28350	7.2
38	WCK (1250 × 800)	1450	1000	1140	1000	1.00	1250	800	18000	2	21600	2.8	25200	3.5	28800	5	32400	6	36000	7.2
39	WCK (1250 × 1000)	1450	1200	1140	1000	1.25	1250	1000	22500	2	27000	2.8	31500	3.5	36000	5	40500	6	45000	7.2
40	WCK (1600 × 500)	1800	700	1140	1000	0.80	1600	500	14400	2	17280	2.8	20160	3.5	23040	5	25920	6	28800	7.2
41	WCK (1600 × 630)	1800	830	1140	1000	1.01	1600	630	18144	2	21773	2.8	25402	3.5	29030	5	32659	6	36288	7.2
42	WCK (1600 × 800)	1800	1000	1140	1000	1.28	1600	800	23040	2	27648	2.8	32256	3.5	36864	5	41472	6	46080	7.2
43	WCK (1600 × 1000)	1800	1200	1140	1000	1.60	1600	1000	28800	2	34560	2.8	40320	3.5	46080	5	51840	6	57600	7.2
44	WCK (1600 × 1250)	1800	1450	1140	1000	2.00	1600	1250	36000	2	43200	2.8	50400	3.5	57600	5	64800	6	72000	7.2
45	WCK (2000 × 630)	2200	830	1140	1000	1.26	2000	630	22680	2	27216	2.8	31752	3.5	36288	5	40824	6	45360	7.2
46	WCK (2000 × 800)	2200	1000	1140	1000	1.60	2000	800	28800	2	34560	2.8	40320	3.5	46080	5	51840	6	57600	7.2
47	WCK (2000 × 1000)	2200	1200	1140	1000	2.00	2000	1000	36000	2	43200	2.8	50400	3.5	57600	5	64800	6	72000	7.2
48	WCK (2000 × 1250)	2200	1450	1140	1000	2.50	2000	1250	45000	2	54000	2.8	63000	3.5	72000	5	81000	6	90000	7.2

SME-H水平消声弯头 SME-H HORIZONTAL MUFFLER ELBOW >>



结构示意图
Structure scheme



- **材质:** 镀锌钢板
- **结构:** 消声腔内壁填塞50mm厚离心玻璃棉, 外覆玻璃布Φ4mm孔径多孔板, 龙骨为镀锌板。

- **主要技术参数:**
 - 消声量: 12.5dB(A)
 - 阻力损失: 15Pa(风速6m/S)

- **注:**
 - 当W<400或H<250时不装导流片
 - C尺寸按国标或根据用户需要

■ **Material:** Galvanized steel sheets

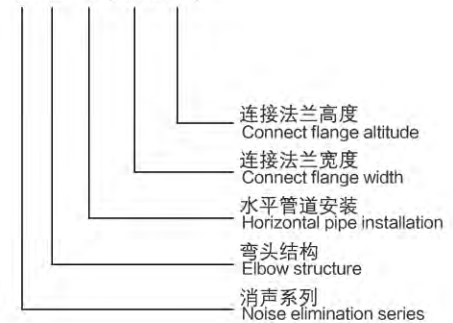
■ **Structure:** Pack 50mm centrifugal glass cotton inside the muffler and cover it with glass cloth and φ 4mm perforated plate. The keel is galvanized sheet.

- **Main technical parameter:**
 - Noise reduction:12.5dB(A)
 - Resistance loss:15Pa (air velocity 6m/S)

- **Notes:**
 - When W<400 or H<250, there's no need to install air guide sheets
 - C size is according to GB or customer's requirement.

■ **型号含义** Model meaning:

SME-H (W × H)



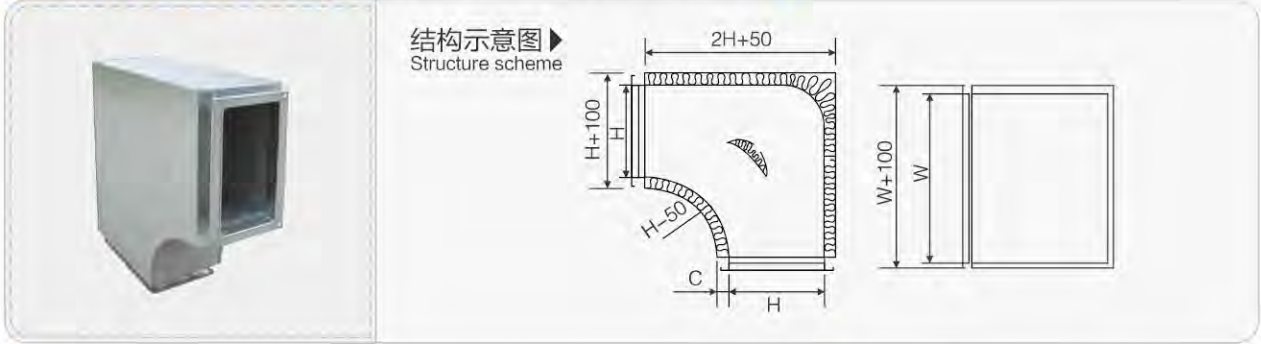
SME-H水平消声弯头消声器实测 SME-H horizontal silencer elbow muffler measured >

测量目的: XSW-S(500 × 250)消声弯头 插入损失消声量和阻力损失 使用仪器: B&K2610+B&K1618+B&K4165 B&K1612+B&K1402+K50G		Test purpose: XSW-S(500 × 250) Muffler elbow Insertion loss of noise reduction and resistance loss Instruments: B&K2610+B&K1618+B&K4165 B&K1612+B&K1402+K50G								
Hz	31.5赫	63	125	250	500	1K	2K	4K	8K	A
替代空管: Replace blank pipe: Static condition 3m/s	静态	65.0	71.0	95.5	97.0	90.5	90.5	77.5	60.5	84.5
	3m/s	65.5	71.5	95.5	97.0	90.5	90.5	77.5	60.5	84.5
	6m/s	66.5	71.5	95.5	97.0	90.5	90.5	78.0	60.5	84.5
	9m/s	68.5	71.5	95.5	97.5	90.5	91.0	78.0	60.5	84.5
XSW-S: Static condition	静态	61.5	67.5	77.5	78.5	73.5	83.0	74.5	59.5	72.0
	3m/s	61.5	68.0	77.5	78.5	73.5	83.0	74.5	59.5	72.0
	6m/s	63.5	68.0	77.0	79.0	73.5	83.0	74.5	59.5	72.0
	9m/s	65.0	68.0	77.0	79.5	73.5	83.5	74.5	59.5	72.0
插入损失消声量: Insertion loss of noise reduction: Static condition	静态	3.5	3.5	18.0	18.5	17.0	7.5	3.0	1.0	12.5
	阻力损失ΔH=0.5mmH ₂ O Resistance loss	4.0	3.5	18.0	18.5	17.0	7.5	3.0	1.0	12.5
	阻力损失ΔH=1.5mmH ₂ O Resistance loss	3.0	3.5	17.5	18.0	17.0	7.5	3.5	1.0	12.5
	阻力损失ΔH=3.0mmH ₂ O Resistance loss	3.5	3.5	17.5	18.0	17.0	7.5	3.5	1.0	12.5

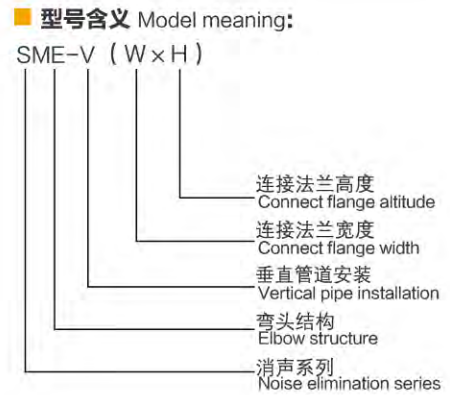
SME-H水平消声器弯头消声器系列参数表 SME-H horizontal silencer elbow muffler series parameter list

序号 Number 号	型号 Type	通流 面积 Flow area m ²	法兰尺寸mmFlange size		V=5m/s时		V=6m/s时		V=7m/s时		V=8m/s时		V=9m/s时	
			宽 Wide (W)	高 High (H)	流量 Flow rate m ³ /h	阻力 Resistance mmh ₂ O	流量 Flow rate m ³ /h	阻力 Resistance mmh ₂ O	流量 Flow rate m ³ /h	阻力 Resistance mmh ₂ O	流量 Flow rate m ³ /h	阻力 Resistance mmh ₂ O	流量 Flow rate m ³ /h	阻力 Resistance mmh ₂ O
1	XSW-S(250 x 160)	0.04	250	160	720	1.25	864	1.5	1008	2	1152	2.5	1296	3
2	XSW-S(250 x 250)	0.06	250	250	1080	1.25	1296	1.5	1512	2	1728	2.5	1944	3
3	XSW-S(320 x 200)	0.06	320	200	1152	1.25	1382	1.5	1612	2	1843	2.5	1944	3
4	XSW-S(320 x 320)	0.10	320	320	1800	1.25	2160	1.5	2520	2	2880	2.5	3240	3
5	XSW-S(400 x 320)	0.13	400	320	2304	1.25	2808	1.5	3276	2	3744	2.5	4212	3
6	XSW-S(400 x 400)	0.18	400	400	2880	1.25	3456	1.5	4032	2	4628	2.5	5184	3
7	XSW-S(500 x 320)	0.16	500	320	2880	1.25	3456	1.5	4032	2	4608	2.5	5184	3
8	XSW-S(500 x 400)	0.20	500	400	3600	1.25	4320	1.5	5040	2	5760	2.5	5480	3
9	XSW-S(500 x 500)	0.25	500	500	4500	1.25	5400	1.5	6700	2	7200	2.5	6100	3
10	XSW-S(630 x 320)	0.20	630	320	3600	1.25	4320	1.5	5040	2	5780	2.5	6480	3
11	XSW-S(630 x 400)	0.25	630	400	4500	1.25	5400	1.5	6700	2	7200	2.5	8100	3
12	XSW-S(630 x 500)	0.32	630	500	5760	1.25	8912	1.5	8064	2	9216	2.5	10388	3
13	XSW-S(630 x 630)	0.40	630	630	7155	1.25	8640	1.5	10086	2	11520	2.5	12960	3
14	XSW-S(800 x 400)	0.32	800	400	5760	1.25	6912	1.5	8064	2	9216	2.5	10388	3
15	XSW-S(800 x 500)	0.40	800	500	7200	1.25	8640	1.5	10800	2	11520	2.5	12960	3
16	XSW-S(800 x 630)	0.50	800	630	9072	1.25	10800	1.5	12600	2	14400	2.5	16200	3
17	XSW-S(800 x 800)	0.64	800	800	11520	1.25	13824	1.5	16128	2	18432	2.5	20736	3
18	XSW-S(1000 x 400)	0.40	1000	400	7200	1.25	8640	1.5	10080	2	11520	2.5	12960	3
19	XSW-S(1000 x 500)	0.50	1000	500	9072	1.25	10800	1.5	12500	2	14400	2.5	16200	3
20	XSW-S(1000 x 630)	0.63	1000	630	11340	1.25	13628	1.5	15876	2	18144	2.5	20412	3
21	XSW-S(1000 x 800)	0.80	1000	800	14400	1.25	17820	1.5	20160	2	23040	2.5	25920	3
22	XSW-S(1000 x 1000)	1.00	1000	1000	18000	1.25	21600	1.5	25200	2	28800	2.5	32400	3
23	XSW-S(1250 x 500)	0.63	1250	500	11250	1.25	15608	1.5	15876	2	18000	2.5	20412	3
24	XSW-S(1250 x 630)	0.79	1250	630	14175	1.25	17604	1.5	19908	2	22580	2.5	25596	3
25	XSW-S(1250 x 800)	1.00	1250	800	18000	1.25	21600	1.5	25200	2	28800	2.5	32400	3
26	XSW-S(1250 x 1000)	1.25	1250	1000	22500	1.25	27000	1.5	31500	2	36000	2.5	40500	3

SME-V垂直消声弯头 SME-V VERTICAL MUFFLER ELBOW



- **材质:** 镀锌钢板
- **结构:** 消声腔内壁填塞50mm厚离心玻璃棉, 外覆玻璃布Φ4mm孔径多孔板, 龙骨为镀锌板。
- **主要技术参数:**
 - 消声量: 12.5dB(A)
 - 阻力损失: 15Pa (风速6m/S)
- **注:**
 - 短臂消声弯头一般适用于W>400以上
 - C尺寸按国标或根据用户需要
- **Material:** Galvanized steel sheets
- **Structure:** Pack 50mm centrifugal glass cotton inside the muffler and cover it with glass cloth and φ 4mm perforated plate. The keel is galvanized sheet.
- **Main technical parameter:**
 - Noise reduction: 12.5dB(A)
 - Resistance loss: 15Pa (air velocity 6m/S)
- **Notes:**
 - Short arm muffler elbow is used when W>400
 - C size is according to GB or customer's requirement.



SME-V垂直消声弯头实测 SME-V vertical silencer elbow measured

测量目的: XSW-C(500 × 250)消声弯头 插入损失消声量和阻力损失 使用仪器: B&K2610+B&K1618+B&K4165 B&K1612+B&K1402+K50G		Test purpose: XSW-S(500 × 250) Muffler elbow Insertion loss of noise reduction and resistance loss Instruments: B&K2610+B&K1618+B&K4165 B&K1612+B&K1402+K50G									
Hz		31.5赫	63	125	250	500	1K	2K	4K	8K	A
替代空管: Replace blank pipe: 静态 3m/s	静态		65.0	71.0	95.5	97.0	90.5	90.5	77.5	60.5	84.5
	3m/s		65.5	71.5	95.5	97.0	90.5	90.5	77.5	60.5	84.5
	6m/s		66.5	71.5	95.5	97.0	90.5	90.5	78.0	60.5	84.5
	9m/s		68.5	71.5	95.5	97.5	90.5	91.0	78.0	60.5	84.5
XSW-S: Static condition	静态		61.5	67.5	77.5	78.5	73.5	83.0	74.5	59.5	72.0
	3m/s		61.5	68.0	77.5	78.5	73.5	83.0	74.5	59.5	72.0
	6m/s		63.5	68.0	77.0	79.0	73.5	83.0	74.5	59.5	72.0
	9m/s		65.0	68.0	77.0	79.5	73.5	83.5	74.5	59.5	72.0
插入损失消声量: Insertion loss of noise reduction: 静态	静态		3.5	3.5	18.0	18.5	17.0	7.5	3.0	1.0	12.5
	3m/s		4.0	3.5	18.0	18.5	17.0	7.5	3.0	1.0	12.5
	6m/s		3.0	3.5	17.5	18.0	17.0	7.5	3.5	1.0	12.5
	9m/s		3.5	3.5	17.5	18.0	17.0	7.5	3.5	1.0	12.5

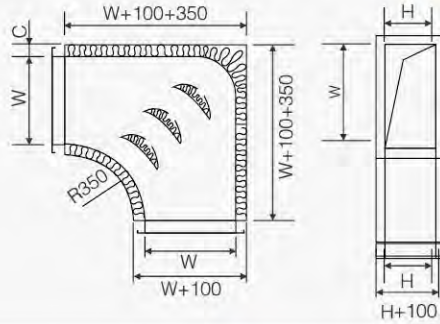
SME-V垂直消声弯头消声器系列参数表 SME-V vertical silencer elbow muffler series parameter list

序号 Number	型号 Type	流通 面积 Flow area m ²	法兰尺寸mm Flange size		V=5m/s时		V=6m/s时		V=7m/s时		V=8m/s时		V=9m/s时	
			宽 Wide (W)	高 High (H)	流量 Flow rate m ³ /h	阻力 Resistance mmH ₂ O	流量 Flow rate m ³ /h	阻力 Resistance mmH ₂ O	流量 Flow rate m ³ /h	阻力 Resistance mmH ₂ O	流量 Flow rate m ³ /h	阻力 Resistance mmH ₂ O	流量 Flow rate m ³ /h	阻力 Resistance mmH ₂ O
1	XSW-C(250×160)	0.04	250	160	720	1.25	864	1.5	1008	2	1152	2.5	1296	3
2	XSW-C(250×250)	0.06	250	250	1080	1.25	1296	1.5	1512	2	1728	2.5	1944	3
3	XSW-C(320×200)	0.06	320	200	1152	1.25	1382	1.5	1612	2	1843	2.5	1944	3
4	XSW-C(320×320)	0.10	320	320	1800	1.25	2160	1.5	2520	2	2880	2.5	3240	3
5	XSW-C(400×320)	0.13	400	320	2304	1.25	2808	1.5	3276	2	3744	2.5	4212	3
6	XSW-C(400×400)	0.18	400	400	2880	1.25	3456	1.5	4032	2	4628	2.5	5184	3
7	XSW-C(500×320)	0.16	500	320	2880	1.25	3456	1.5	4032	2	4608	2.5	5184	3
8	XSW-C(500×400)	0.20	500	400	3600	1.25	4320	1.5	5040	2	5760	2.5	5480	3
9	XSW-C(500×500)	0.25	500	500	4500	1.25	5400	1.5	6700	2	7200	2.5	6100	3
10	XSW-C(630×320)	0.20	630	320	3600	1.25	4320	1.5	5040	2	5780	2.5	6480	3
11	XSW-C(630×400)	0.25	630	400	4500	1.25	5400	1.5	6700	2	7200	2.5	8100	3
12	XSW-C(630×500)	0.32	630	500	5760	1.25	8912	1.5	8064	2	9216	2.5	10368	3
13	XSW-C(630×630)	0.40	630	630	7155	1.25	8640	1.5	10086	2	11520	2.5	12960	3
14	XSW-C(800×400)	0.32	800	400	5760	1.25	6912	1.5	8064	2	9216	2.5	10368	3
15	XSW-C(800×500)	0.40	800	500	7200	1.25	8640	1.5	10800	2	11520	2.5	12960	3
16	XSW-C(800×630)	0.50	800	630	9072	1.25	10800	1.5	12600	2	14400	2.5	16200	3
17	XSW-C(800×800)	0.64	800	800	11520	1.25	13824	1.5	16128	2	18432	2.5	20736	3
18	XSW-C(1000×400)	0.40	1000	400	7200	1.25	8640	1.5	10080	2	11520	2.5	12960	3
19	XSW-C(1000×500)	0.50	1000	500	9072	1.25	10800	1.5	12500	2	14400	2.5	16200	3
20	XSW-C(1000×630)	0.63	1000	630	11340	1.25	13628	1.5	15876	2	18144	2.5	20412	3
21	XSW-C(1000×800)	0.80	1000	800	14400	1.25	17820	1.5	20160	2	23040	2.5	25920	3
22	XSW-C(1000×1000)	1.00	1000	1000	18000	1.25	21600	1.5	25200	2	28800	2.5	32400	3
23	XSW-C(1250×500)	0.63	1250	500	11250	1.25	15608	1.5	15876	2	18000	2.5	20412	3
24	XSW-C(1250×630)	0.79	1250	630	14175	1.25	17604	1.5	19908	2	22580	2.5	25596	3
25	XSW-C(1250×800)	1.00	1250	800	18000	1.25	21600	1.5	25200	2	28800	2.5	32400	3
26	XSW-C(1250×1000)	1.25	1250	1000	22500	1.25	27000	1.5	31500	2	36000	2.5	40500	3

SSE-H短臂水平消声弯头 SSE-H SHORT ARM HORIZONTAL MUFFLER ELBOW



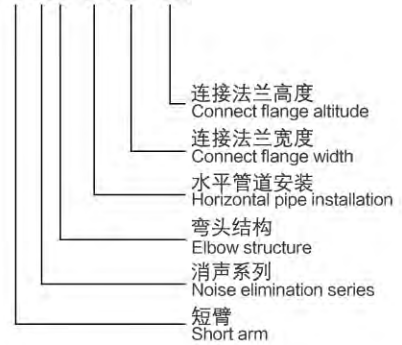
结构示意图
Structure scheme



- **材质:** 镀锌钢板
- **结构:** 消声腔内壁填塞50mm厚离心玻璃棉, 外覆玻璃布Φ4mm孔径多孔板, 龙骨为镀锌板。
- **主要技术参数:**
 - 消声量: 7dB (A)
 - 阻力损失: 15Pa (风速6m/S)
- **注:**
 - 短臂消声弯头一般适用于H>400以上
 - C尺寸按国标或根据用户需要
- **Material:** Galvanized steel sheets
- **Structure:** Pack 50mm centrifugal glass cotton inside the muffler and cover it with glass cloth and Φ 4mm perforated plate. The keel is galvanized sheet.
- **Main technical parameter:**
 - Noise reduction:70dB(A)
 - Resistance loss:15Pa (air velocity 6m/S)
- **Notes:**
 - Short arm muffler elbow is used when H> 400
 - C size is according to GB or customer's requirement.

■ **型号含义** Model meaning:

SSE-H (W × H)



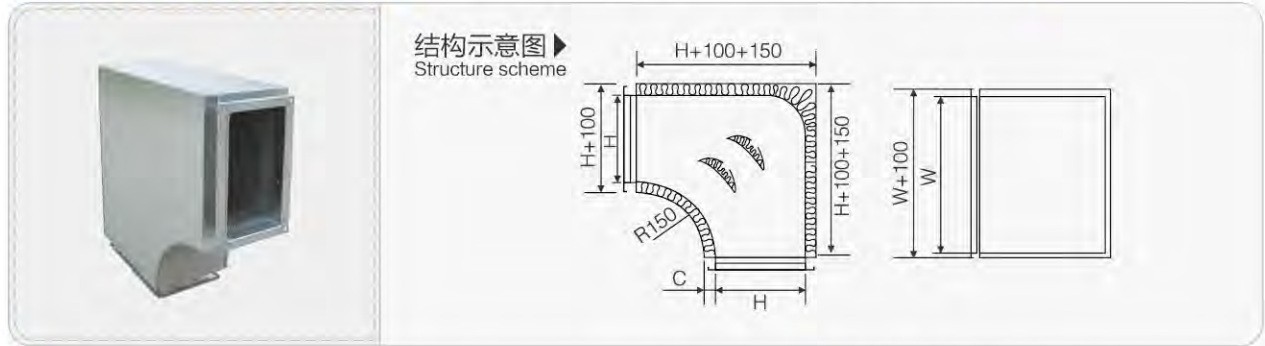
SSE-H短臂水平消声弯头实测 SSE-H short arm horizontal silencer elbow measured

测量目的:DXSW-S(500×250)消声弯头 插入损失消声量和阻力损失		Test purpose: XSW-S(500×250) Muffler elbow Insertion loss of noise reduction and resistance loss									
使用仪器:B&K2610+B&K1618+B&K4165 B&K1612+B&K1402+K50G		Instruments:B&K2610+B&K1618+B&K4165 B&K1612+B&K1402+K50G									
Hz		31.5赫	63	125	250	500	1K	2K	4K	8K	A
替代空管: 静态 Replace blank pipe: Static condition	3m/s		65.0	71.0	95.5	97.0	90.5	90.5	77.5	60.5	84.5
	6m/s		65.5	71.5	95.5	97.0	90.5	90.5	77.5	60.5	84.5
	9m/s		66.5	71.5	95.5	97.0	90.5	90.5	78.0	60.5	84.5
DXSW-S(500×250)消声弯头: 静态 Muffler elbow: Static condition	3m/s		64.5	69.0	85.0	89.0	81.0	88.0	76.0	60.0	78.0
	6m/s		65.0	69.5	84.5	88.5	80.5	88.0	75.5	60.0	77.5
	9m/s		66.0	69.5	85.0	89.0	80.5	88.0	76.0	60.0	78.0
			68.0	69.5	85.0	89.0	80.5	88.0	76.0	60.0	78.0
插入损失消声量: 静态 Insertion loss of noise reduction: Static condition	3m/s		0.5	2.0	10.5	8.0	9.5	2.5	1.5	0.5	6.5
	6m/s		0.5	2.0	11.0	8.5	10.0	2.5	2.0	0.5	7.0
	9m/s		0.5	2.0	10.5	8.0	10.0	2.5	2.0	0.5	6.5
			0.5	2.0	10.5	8.0	10.0	2.5	2.0	0.5	6.5

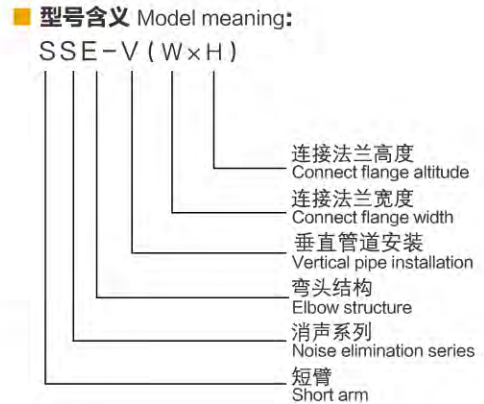
SSE-H短臂水平消声弯头消声器系列参数表 SSE-H short arm horizontal silencer elbow muffler series parameter list

序号 Number	型号 Type	流通 面积 Flow area m ²	法兰尺寸mm		V=5m/s时		V=6m/s时		V=7m/s时		V=8m/s时		V=9m/s时	
			流量 Flow rate m ³ /h	阻力 Resistance mmH ₂ O	流量 Flow rate m ³ /h	阻力 Resistance mmH ₂ O	流量 Flow rate m ³ /h	阻力 Resistance mmH ₂ O	流量 Flow rate m ³ /h	阻力 Resistance mmH ₂ O	流量 Flow rate m ³ /h	阻力 Resistance mmH ₂ O	流量 Flow rate m ³ /h	阻力 Resistance mmH ₂ O
1	DXSW-S(500×320)	0.16	500	320	2880	2.0	3456	2.5	4032	3.1	4608	3.7	5184	4.5
2	DXSW-S(500×400)	0.20	500	400	3600	2.0	4320	2.5	5040	3.1	5760	3.7	6480	4.5
3	DXSW-S(500×500)	0.25	500	500	4500	2.0	5400	2.5	6700	3.1	7200	3.7	8100	4.5
4	DXSW-S(630×200)	0.13	630	200	2304	2.0	2808	2.5	3276	3.1	3744	3.7	4212	4.5
5	DXSW-S(630×250)	0.18	630	250	2880	2.0	3456	2.5	4032	3.1	4608	3.7	5184	4.5
6	DXSW-S(630×320)	0.20	630	320	3600	2.0	4320	2.5	5040	3.1	5760	3.7	6480	4.5
7	DXSW-S(630×400)	0.25	630	400	4500	2.0	5400	2.5	6700	3.1	7200	3.7	8100	4.5
8	DXSW-S(630×500)	0.32	630	500	5760	2.0	6912	2.5	8064	3.1	9216	3.7	10368	4.5
9	DXSW-S(630×630)	0.40	630	630	7155	2.0	8640	2.5	10086	3.1	11520	3.7	12960	4.5
10	DXSW-S(800×250)	0.20	800	250	3600	2.0	4320	2.5	5040	3.1	5760	3.7	6480	4.5
11	DXSW-S(800×320)	0.26	800	320	4600	2.0	5616	2.5	6552	3.1	7372	3.7	8242	4.5
12	DXSW-S(800×400)	0.32	800	400	5760	2.0	6912	2.5	8064	3.1	9216	3.7	10368	4.5
13	DXSW-S(800×500)	0.40	800	500	7200	2.0	8640	2.5	10080	3.1	11520	3.7	12960	4.5
14	DXSW-S(800×630)	0.50	800	630	9072	2.0	10800	2.5	12600	3.1	14400	3.7	16200	4.5
15	DXSW-S(800×800)	0.64	800	800	11520	2.0	13824	2.5	16128	3.1	18432	3.7	20736	4.5
16	DXSW-S(1000×250)	0.25	1000	250	4500	2.0	5400	2.5	6300	3.1	7200	3.7	8100	4.5
17	DXSW-S(1000×320)	0.32	1000	320	5760	2.0	6912	2.5	8064	3.1	9216	3.7	10368	4.5
18	DXSW-S(1000×400)	0.40	1000	400	7200	2.0	8640	2.5	10080	3.1	11520	3.7	12960	4.5
19	DXSW-S(1000×500)	0.50	1000	500	9072	2.0	10800	2.5	12500	3.1	14400	3.7	16200	4.5
20	DXSW-S(1000×630)	0.63	1000	630	11340	2.0	13628	2.5	15876	3.1	18144	3.7	20412	4.5
21	DXSW-S(1000×800)	0.80	1000	800	14400	2.0	17280	2.5	20160	3.1	23040	3.7	25920	4.5
22	DXSW-S(1000×1000)	1.00	1000	1000	18000	2.0	21600	2.5	25200	3.1	28800	3.7	32400	4.5
23	DXSW-S(1250×320)	0.40	1250	320	7200	2.0	8640	2.5	10080	3.1	11520	3.7	12960	4.5
24	DXSW-S(1250×400)	0.50	1250	400	9072	2.0	10800	2.5	12600	3.1	14400	3.7	16200	4.5
25	DXSW-S(1250×500)	0.63	1250	500	11250	2.0	15608	2.5	18000	3.1	20412	3.7	22596	4.5
26	DXSW-S(1250×630)	0.79	1250	630	14175	2.0	17604	2.5	19908	3.1	22580	3.7	25596	4.5
27	DXSW-S(1250×800)	1.00	1250	800	18000	2.0	21600	2.5	25200	3.1	28800	3.7	32400	4.5
28	DXSW-S(1250×1250)	1.25	1250	1000	22500	2.0	27000	2.5	31500	3.1	36000	3.7	40500	4.5

SSE-V短臂垂直消声弯头 SSE-H SHORT ARM HORIZONTAL MUFFLER ELBOW



- **材质:** 镀锌钢板
- **结构:** 消声腔内壁填塞50mm厚离心玻璃棉, 外覆玻璃布Φ4mm孔径多孔板, 龙骨为镀锌板。
- **主要技术参数:**
 - 消声量: 7dB (A)
 - 阻力损失: 15Pa (风速6m/S)
- **注:**
 - 短臂消声弯头一般适用于H>400以上
 - C尺寸按国标或根据用户需要
- **Material:** Galvanized steel sheets
- **Structure:** Pack 50mm centrifugal glass cotton inside the muffler and cover it with glass cloth and φ 4mm perforated plate. The keel is galvanized sheet.
- **Main technical parameter:**
 - Noise reduction:70dB(A)
 - Resistance loss: 15Pa (air velocity 6m/S)
- **Notes:**
 - Short arm muffler elbow is used when H>400
 - C size is according to GB or customer's requirement



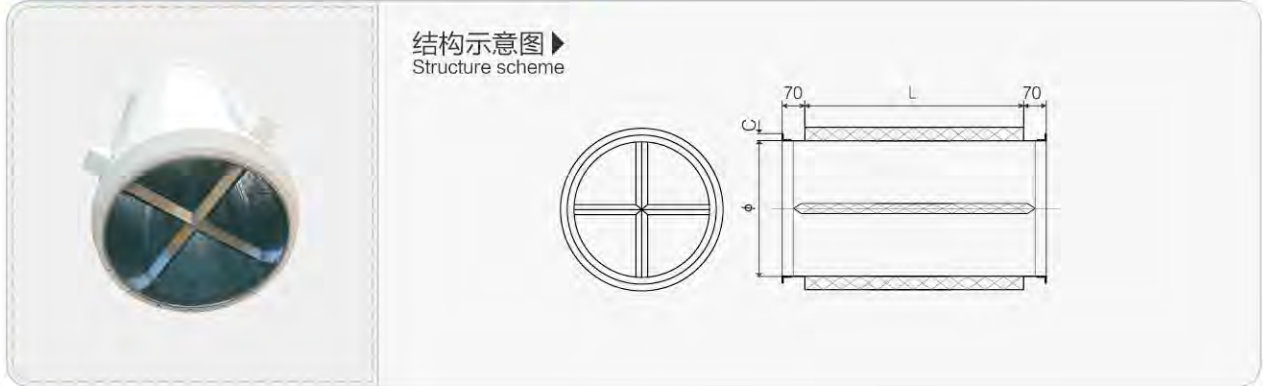
SSE-V短臂垂直消声弯头实测 SSE-V short arm vertical silencer elbow measured

测量目的:DXSW-C(500×250)消声弯头 插入损失消声量和阻力损失		Test purpose: XSW-S(500×250) Muffler elbow Insertion loss of noise reduction and resistance loss									
使用仪器: B&K2610+B&K1618+B&K4165 B&K1612+B&K1402+K50G		Instruments: B&K2610+B&K1618+B&K4165 B&K1612+B&K1402+K50G									
Hz		31.5赫	63	125	250	500	1K	2K	4K	8K	A
替代空管; 静态 Replace blank pipe: Static condition 3m/s	静态		65.0	71.0	95.5	97.0	90.5	90.5	77.5	60.5	84.5
	3m/s		65.5	71.5	95.5	97.0	90.5	90.5	77.5	60.5	84.5
	6m/s		66.5	71.5	95.5	97.0	90.5	90.5	78.0	60.5	84.5
	9m/s		68.5	71.5	95.5	97.0	90.5	91.0	78.0	60.5	84.5
DXSW-S(500×250)消声弯头; 静态 Muffler elbow: Static condition 3m/s	静态		64.5	69.0	85.0	89.0	81.0	88.0	76.0	60.0	78.0
	3m/s		65.0	69.5	84.5	88.5	80.5	88.0	75.5	60.0	77.5
	6m/s		66.0	69.5	85.0	89.0	80.5	88.0	76.0	60.0	78.0
	9m/s		68.0	69.5	85.0	89.0	80.5	88.0	76.0	60.0	78.0
插入损失消声量; 静态 Insertion loss of noise reduction: Static condition 阻力损失ΔH=1.0mmH ₂ O Resistance loss 阻力损失ΔH=2.5mmH ₂ O Resistance loss 阻力损失ΔH=4.5mmH ₂ O Resistance loss	静态		0.5	2.0	10.5	8.0	9.5	2.5	1.5	0.5	6.5
	3m/s		0.5	2.0	11.0	8.5	10.0	2.5	2.0	0.5	7.0
	6m/s		0.5	2.0	10.5	8.0	10.0	2.5	2.0	0.5	6.5
	9m/s		0.5	2.0	10.5	8.0	10.0	2.5	2.0	0.5	6.5

SSE-V短管垂直消声弯头性能参数表 SSE-V short arm vertical silencer elbow performance parameter table

序号 Number	型号 Type	通流 面积 Flow area m ²	法兰尺寸mm Flange size		V=5m/s时		V=6m/s时		V=7m/s时		V=8m/s时		V=9m/s时	
			流量 Flow rate m ³ /h	阻力 Resistance mmh ₂ O	流量 Flow rate m ³ /h	阻力 Resistance mmh ₂ O	流量 Flow rate m ³ /h	阻力 Resistance mmh ₂ O	流量 Flow rate m ³ /h	阻力 Resistance mmh ₂ O	流量 Flow rate m ³ /h	阻力 Resistance mmh ₂ O	流量 Flow rate m ³ /h	阻力 Resistance mmh ₂ O
1	DXSW-C(500×320)	0.16	500	320	2880	2.0	3456	2.5	4032	3.1	4608	3.7	5184	4.5
2	DXSW-C(500×400)	0.20	500	400	3600	2.0	4320	2.5	5040	3.1	5760	3.7	6480	4.5
3	DXSW-C(500×500)	0.25	500	500	4500	2.0	5400	2.5	6700	3.1	7200	3.7	8100	4.5
4	DXSW-C(630×200)	0.13	630	200	2304	2.0	2808	2.5	3276	3.1	3744	3.7	4212	4.5
5	DXSW-C(630×250)	0.18	630	250	2880	2.0	3456	2.5	4032	3.1	4608	3.7	5184	4.5
6	DXSW-C(630×320)	0.20	630	320	3600	2.0	4320	2.5	5040	3.1	5760	3.7	6480	4.5
7	DXSW-C(630×400)	0.25	630	400	4500	2.0	5400	2.5	6700	3.1	7200	3.7	8100	4.5
8	DXSW-C(630×500)	0.32	630	500	5760	2.0	6912	2.5	8064	3.1	9216	3.7	10368	4.5
9	DXSW-C(630×630)	0.40	630	630	7155	2.0	8640	2.5	10086	3.1	11520	3.7	12960	4.5
10	DXSW-C(800×250)	0.20	800	250	3600	2.0	4320	2.5	5040	3.1	5760	3.7	6480	4.5
11	DXSW-C(800×320)	0.26	800	320	4600	2.0	5616	2.5	6552	3.1	7372	3.7	8424	4.5
12	DXSW-C(800×400)	0.32	800	400	5760	2.0	6912	2.5	8064	3.1	9216	3.7	10368	4.5
13	DXSW-C(800×500)	0.40	800	500	7200	2.0	8640	2.5	10080	3.1	11520	3.7	12960	4.5
14	DXSW-C(800×630)	0.50	800	630	9072	2.0	10800	2.5	12600	3.1	14400	3.7	16200	4.5
15	DXSW-C(800×800)	0.64	800	800	11520	2.0	13824	2.5	16128	3.1	18432	3.7	20736	4.5
16	DXSW-C(1000×250)	0.25	1000	250	4500	2.0	5400	2.5	6300	3.1	7200	3.7	8100	4.5
17	DXSW-C(1000×320)	0.32	1000	320	5760	2.0	6912	2.5	8064	3.1	9216	3.7	10368	4.5
18	DXSW-C(1000×400)	0.40	1000	400	7200	2.0	8640	2.5	10080	3.1	11520	3.7	12960	4.5
19	DXSW-C(1000×500)	0.50	1000	500	9072	2.0	10800	2.5	12500	3.1	14400	3.7	16200	4.5
20	DXSW-C(1000×630)	0.63	1000	630	11340	2.0	13628	2.5	15876	3.1	18144	3.7	20412	4.5
21	DXSW-C(1000×800)	0.80	1000	800	14400	2.0	17280	2.5	20160	3.1	23040	3.7	25920	4.5
22	DXSW-C(1000×1000)	1.00	1000	1000	18000	2.0	21600	2.5	25200	3.1	28800	3.7	32400	4.5
23	DXSW-C(1250×320)	0.40	1250	320	7200	2.0	8640	2.5	10080	3.1	11520	3.7	12960	4.5
24	DXSW-C(1250×400)	0.50	1250	400	9072	2.0	10800	2.5	12600	3.1	14400	3.7	16200	4.5
25	DXSW-C(1250×500)	0.63	1250	500	11250	2.0	15608	2.5	15876	3.1	18000	3.7	20412	4.5
26	DXSW-C(1250×630)	0.79	1250	630	14175	2.0	17604	2.5	19908	3.1	22560	3.7	25596	4.5
27	DXSW-C(1250×800)	1.00	1250	800	18000	2.0	21600	2.5	25200	3.1	28800	3.7	32400	4.5
28	DXSW-C(1250×1000)	1.25	1250	1000	22500	2.0	27000	2.5	31500	3.1	36000	3.7	40500	4.5

SRM圆形消声器 SRM CIRCULAR MUFFLER >>

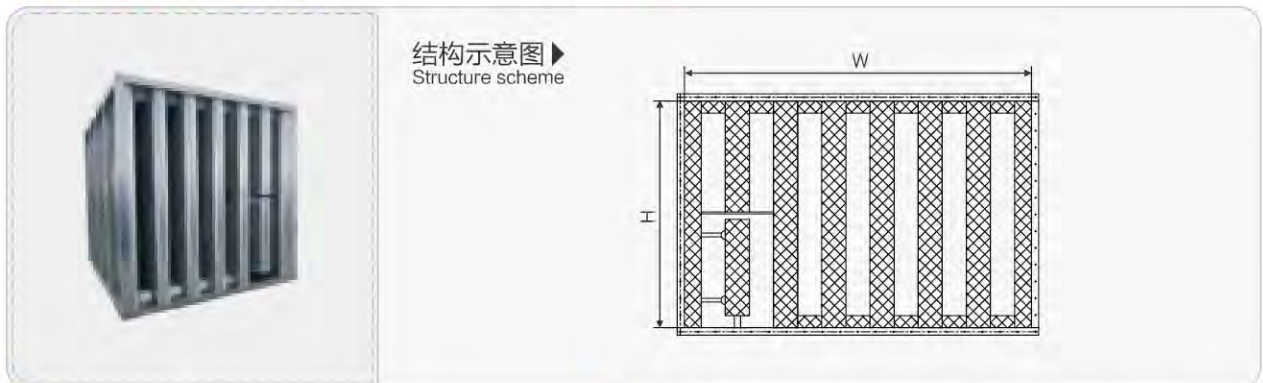


- **材质:** 镀锌钢板
 - **结构:** 消声腔内壁填塞50mm厚离心玻璃棉, 外覆玻璃布Φ4mm孔径多孔板, 龙骨为镀锌板。
 - **主要技术参数:**
 - 消声量: 14.5dB (A)
 - 阻力损失: 20Pa
 - **注:** C尺寸按国标或根据用户需要
- **Material:** Galvanized steel sheets
 - **Structure:** Pack centrifugal glass cotton inside the muffler and cover it with glass cloth and ϕ 4mm perforated plate, the keel is galvanized sheet
 - **Main technical parameter:**
 - Noise reduction: 14.5dB(A)
 - Resistance loss: 20Pa
 - **Notes:** C size is according to GB or customer's requirement.

SRM圆形消声器性能实测表 SRM round muffler performance measurement table >

风速 Air velocity M/S	插入损失消声量和阻力损失 Insertion loss of noise reduction and resistance loss									A声级 Sound level db(A)	阻力损失 Resistance loss pa
	倍频带声压级 Octave band pressure level										
	63	125	250	500	1K	2K	4K	8K			
3	3	4	6.5	19	19	12	9.5	7.5	13	10	
6	2.5	4	6.5	18.5	19	11.5	9.5	7	13	24	
9	2.5	4.5	7	18.5	19	12	10	7	13	56	

SCM组合式消声器 SCM COMPOSITE MUFFLER >>



- **材质:** 镀锌钢板
 - **结构特点:** 消声腔内填充离心玻璃棉, 外覆玻璃布Φ4mm孔径多孔板, 导风片厚度为200mm.
 - **规格尺寸:** W × H配合风管尺寸
- **Material:** Galvanized steel sheets
 - **Structure:** Anechoic chamber is filled with centrifugal glass cotton and is covered with ϕ 4mm perforated plate, The thickness of baffle is 200mm.
 - **Specification:** (W x H) size can be manufactured according to design.

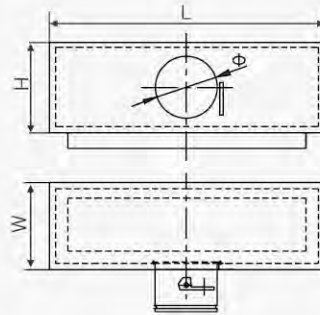
SCM组合式消声器性能参数表 SCM combined muffler performance parameter table

序号 Number	型号 Type	尺寸 Size				通流 面积 Flow area m ²	V=5m/s时		V=6m/s时		V=7m/s时		V=8m/s时		V=9m/s时		V=10m/s时	
		外径 Outer diameter (φA)	总长 Total length	法兰口径 Flange diameter (φB)	有效长 Effective length (mm) (L)		流量 Flow rate m ³ /h	阻力 Resistance mmH ₂ O	流量 Flow rate m ³ /h	阻力 Resistance mmH ₂ O	流量 Flow rate m ³ /h	阻力 Resistance mmH ₂ O	流量 Flow rate m ³ /h	阻力 Resistance mmH ₂ O	流量 Flow rate m ³ /h	阻力 Resistance mmH ₂ O	流量 Flow rate m ³ /h	阻力 Resistance mmH ₂ O
1	YXXS(φ250)	450	1140	250	1000	0.049	884	1.7	1060	2.4	1237	3	1414	4.8	1590	5.6	1767	6.7
2	YXXS(φ280)	480	1140	280	1000	0.062	1108	1.7	1330	2.4	1552	3	1773	4.8	1995	5.6	2217	6.7
3	YXXS(φ320)	520	1140	320	1000	0.080	1448	1.7	1737	2.4	2027	3	2316	4.8	2606	5.6	2895	6.7
4	YXXS(φ360)	560	1140	360	1000	0.102	1832	1.7	2199	2.4	2565	3	2931	4.8	3298	5.6	3664	6.7
5	YXXS(φ400)	600	1140	400	1000	0.126	2262	1.7	2714	2.4	3167	3	3619	4.8	4072	5.6	4524	6.7
6	YXXS(φ450)	650	1140	450	1000	0.159	2863	1.7	3435	2.4	4008	3	4580	4.8	5153	5.6	5726	6.7
7	YXXS(φ500)	700	1140	500	1000	0.196	3534	1.7	4241	2.4	4948	3	5655	4.8	6362	5.6	7069	6.7
8	YXXS(φ560)	760	1140	560	1000	0.246	4433	1.7	5320	2.4	6207	3	7093	4.8	7980	5.6	8867	6.7
9	YXXS(φ600)	800	1140	600	1000	0.283	5089	1.7	6107	2.4	7125	3	8143	4.8	9161	5.6	10179	6.7
10	YXXS(φ630)	830	1140	630	1000	0.312	5611	1.7	6733	2.4	7855	3	8978	4.8	10100	5.6	11222	6.7
11	YXXS(φ700)	900	1140	700	1000	0.385	6927	1.7	8313	2.4	9698	3	11084	4.8	12469	5.6	13854	6.7
12	YXXS(φ800)	1000	1140	800	1000	0.503	9048	1.7	10857	2.4	12667	3	14476	4.8	16286	5.6	18096	6.7
13	YXXS(φ900)	1100	1140	900	1000	0.636	11451	1.7	13741	2.4	16032	3	18322	4.8	20612	5.6	22902	6.7
14	YXXS(φ1000)	1200	1140	1000	1000	0.785	14137	1.7	16965	2.4	19792	3	22620	4.8	25447	5.6	28274	6.7
15	YXXS(φ1120)	1320	1140	1120	1000	0.985	17734	1.7	21280	2.4	24827	3	28374	4.8	31921	5.6	35467	6.7
16	YXXS(φ1250)	1450	1140	1250	1000	1.227	22089	1.7	26507	2.4	30925	3	35343	4.8	39761	5.6	44179	6.7
17	YXXS(φ1400)	1600	1140	1400	1000	1.539	27709	1.7	33251	2.4	38792	3	44334	4.8	49876	5.6	55418	6.7
18	YXXS(φ1500)	1700	1140	1500	1000	1.767	31809	1.7	38170	2.4	44532	3	50894	4.8	57256	5.6	63617	6.7
19	YXXS(φ1600)	1800	1140	1600	1000	2.011	36191	1.7	43429	2.4	50668	3	57906	4.8	65144	5.6	72382	6.7
20	YXXS(φ1800)	2000	1140	1800	1000	2.545	45805	1.7	54965	2.4	64126	3	73287	4.8	82448	5.6	91609	6.7
21	YXXS(φ2000)	2200	1140	2000	1000	3.142	56549	1.7	67859	2.4	79168	3	90478	4.8	101788	5.6	113098	6.7

SCB静压箱 SCB PLENUM CHAMBER >>



结构示意图
Structure scheme



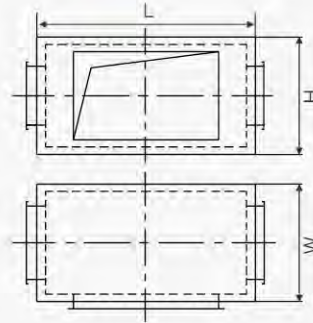
- **材质:** 镀锌钢板
- **结构特点:** SCB静压箱采用镀锌钢板制作, 一般与条型散流器配套使用, 具有减少动压增加静压稳定气流的功能。

- **Material:** Galvanized steel sheets
- **Structure:** SCB plenum chamber is made of galvanized steel sheets. Usually it will be used together with slotted diffuser. It can reduce dynamic pressure and increase static pressure to make the airflow stable.

SSC消声静压箱 SSC NOISE ELIMINATION PLENUM CHAMBER >>



结构示意图
Structure scheme



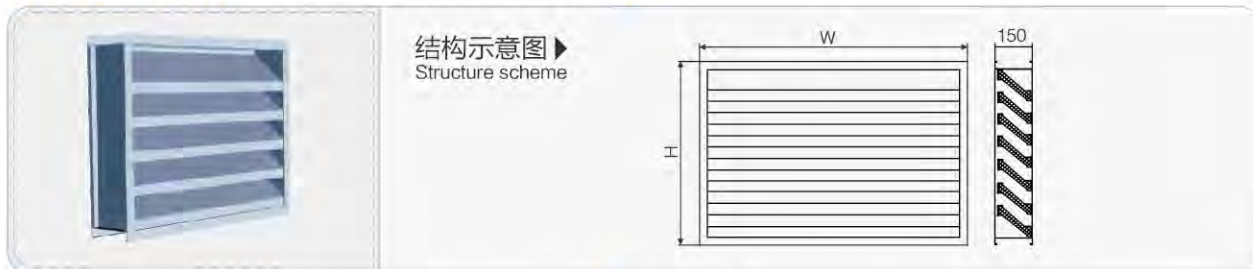
- **材质:** 镀锌钢板
- **结构特点:** SSC消声静压箱是在YJY-1静压箱的基础上增加了消声功能, 也可安装于空调箱出口或进口处作静压、消声及分风之用, 其消声腔内填塞离心玻璃棉, 外覆玻璃布及镀锌多孔板
- **主要技术参数:**
 - 消声量:5.5dB (A)
 - 阻力损失:35Pa (风速6m/S)

- **Material:** Galvanized steel sheets
- **Structure:** SSC noise elimination plenum chamber has added the function of noise elimination based on YJY-1 plenum chamber. It can be installed in the inlet or outlet of the air conditioning box as static pressure, noise elimination and air division, It is packed with centrifugal glass cotton inside the muffler and covered with glass cloth and galvanized perforated plate,
- **Main technical parameter:**
 - Noise reduction:5.5dB(A)
 - Resistance loss:35Pa (air velocity 6m/S)

SSC消声静压箱 SSC muffler static pressure box >

风速 Air velocity M/S	插入损失消声量和阻力损失 Insertion loss of noise reduction and resistance loss									
	倍频带声压级 Octave band pressure level								A声级 Sound level db(A)	阻力损失 Resistance loss pa
	63	125	250	500	1K	2K	4K	8K		
3	3	5	6	5	9	3	2	3	5	7
6	1.5	5	6	5	9	3.5	4	3.5	5.5	35
9	1	5	6	5	9	3.5	4	4.5	5.5	75

SSG消声百叶 SSG SOUND SILENCING LOUVER



■ **材质:** 镀锌钢板

■ **结构特点:**

- 消声百叶一般安装于空调机房或发电机房的进排风口处, 具有降低机组和气流噪音的功能。
- 消声百叶由外框、吸声片、吸声材料及多孔板组成。
- 吸声片内填充离心玻璃棉, 外覆玻璃布及镀锌多孔板。
- 采用优质镀锌钢板制作, 强度高、外型美观。
- 表面也可配合装饰要求进行烤漆或静电喷塑。

■ **主要技术参数:**

- 消声量: 55dB (A)
- 阻力损失: 35Pa (风速6m/S)

■ **Material:** Galvanized steel sheets

■ **Structure:**

- It used to be installed at the outlet of air-conditioning room or generator room and has the function of reduce the noise of generating set and airflow.
- It is composed of outer frame, sound absorbing plate, sound absorbing material and perforated plate.
- The sound absorbing plate is packed with centrifugal glass cotton and covered with glass cloth and galvanized perforated plate.
- It is made of good quality galvanized steel plate and has high strength and beautiful outlook.
- The surface can also have electrostatic spray and painting according to decorative requirement.

■ **Main technical parameter:**

- Noise reduction: 5.5dB(A)
- Resistance loss: 35Pa (when the air velocity is at 6m/s)

SSG消声百叶性能表 SSG muffler louver performance table

风速 Air velocity M/S	插入损失消声量和阻力损失 Insertion loss of noise reduction and resistance loss									A声级 Sound level db(A)	阻力损失 Resistance loss pa
	倍频带声压级 Octave band pressure level										
	63	125	250	500	1K	2K	4K	8K			
3	3	5	6	5	9	3	2	3	5	7	
6	1.5	5	6	5	9	3.5	4	3.5	5.5	35	
9	1	5	6	5	9	3.5	4	4.5	5.5	75	

消声器系列产品概述及结构特点 Muffler series product overview and structural features

- XSW系列消声弯头用于风管转角处作消声导流作用, 该弯头为外角内园型式, 内装短弦导风片, 故压力损失小, 对消声最有利, 本系列消声弯头由水平安装和垂直安装两种型号。
- DXSW系列短臂消声弯头, 该弯头内园转角小, 占有空间位置少, 经济效益高, 它更加突出了“短臂”的优点, 在通风工程中是较为理想的消声器。
- ZP型片式管道式消声器采用离心玻璃棉作为吸声材料, 外壳采用镀锌钢板制作, 片式结构, 咬口拼接不漏风, 内部用抽芯铁铆钉连接, 具有结构简单、高度低、消声频率宽等特点, 产品有效长度一米, 两端配有变径管和标准法兰消声器穿孔板穿孔率大于20%, 平整无毛刺。玻璃棉密度按要求均匀铺放, 角钢法兰按国标要求制作, 法兰面平整在空调通风设计中均可选用。
- ZP100型片式管道消声器系列, 共有41个规格, 处理风量范围720m³h-4000m³h。经同济大学声学院研究所测定消声量18.5dB(A)。风速6米/时阻力损失2毫米水柱。
- ZP200型片式管道消声器系列, 共有22个规格, 处理风量范围1800m³h-32000m³h。经同济大学声学院研究所测定消声量25dB(A)。风速6米/时阻力损失4毫米水柱。用户可根据风量风速要求选择消声器直接与管道联接。无另加变径管, 使用安装极为方便, 需要增加消声量时可采用二节串联。
- XSG消声管是从日本引进的新一代消声风管, 消声量大阻力损失小。主要适用于医院、录音室、咖啡厅等场所, 是理想的消声产品。
- T701-6阳抗复合式消声器系国标消声器之一, 由阻性和抗性二部分组成, 主要用于降低空气系统中心离心风机产生的进气和排气噪声。
- The XSW series silencer elbow is used for the sound-damping and diverting action at the corner of the air duct. The elbow is an outer-angle inner type and has a short-string wind guide. Therefore, the pressure loss is small, which is most beneficial to the sound-absorbing. The elbows are available in both horizontal and vertical versions.
- DXSW series short arm silencer elbow, the inner corner of the elbow is small, occupying less space and high economic efficiency. It highlights the advantages of "short arm" and is an ideal muffler in ventilation engineering.
- ZP type pipe type muffler adopts centrifugal glass wool as sound absorbing material, the outer shell is made of galvanized steel plate, the chip structure, the bite splicing does not leak air, and the inside is connected by the cored iron rivet, which has simple structure, low height and noise elimination. The frequency is wide and so on. The effective length of the product is one meter. The perforated plate with the reducer tube and the standard flange muffler has a perforation rate of more than 20%, and the burr is smooth. The density of glass wool is evenly laid as required, the angle flange is made according to the requirements of the national standard, and the flange surface is flat in the air conditioning ventilation design.
- ZP100 type chip duct muffler series, a total of 41 specifications, processing air volume range 720m³h-4000m³h. The sound attenuation was 18.5dB(A) by the Institute of Acoustics, Tongji University. The wind speed is 6 m/h and the resistance loss is 2 mm water column.
- ZP200 type chip duct muffler series, a total of 22 specifications, processing air volume range of 1800m³h-32000m³h. The noise reduction amount was 25dB(A) by the Institute of Acoustics. The wind speed is 6 m/h and the resistance loss is 4 mm water column. The user can select the muffler to directly connect with the pipeline according to the wind speed requirement. There is no additional reducer, which is very convenient to install. When it is necessary to increase the amount of noise reduction, two series can be used.
- The XSG muffler is a new generation of muffler ducts imported from Japan. It is mainly used in hospitals, recording studios, cafes, etc. It is an ideal sound-absorbing product.
- T701-6 Yang anti-composite type muffler is one of the national standard muffler. It consists of two parts: resistive and resistant. It is mainly used to reduce the centrifugal fan generated in the center of the air system. Intake and exhaust noise.

SMARTEMP 智腾®
IN COMFORT



常州智腾空调科技有限公司

CHANGZHOU SMARTEMP AIR CONDITIONING TECHNOLOGY CO., LTD

地址: 江苏省常州市新北区天山路22号

电话: +86 (0) 519 85609069

网址: www.smartemp.cn

邮箱: info@smartemp.cn

Add: No. 22, Tianshan Road, Xinbei District,
Changzhou, Jiangsu, China

Tel: +86 (0) 519 85609069

Web: www.smartemp.cn

Email: info@smartemp.cn